



# FAI Sporting Code

*Fédération  
Aéronautique  
Internationale*

---

## Section 4 - Aeromodelling

# CIAM General Rules

2018 Edition

Effective 1<sup>st</sup> January 2018

SECTION A - CIAM INTERNAL REGULATIONS

SECTION B - GENERAL SPECIFICATIONS FOR CIAM CLASSES

SECTION C - CIAM GENERAL RULES FOR INTERNATIONAL EVENTS

*Maison du Sport International  
Avenue de Rhodanie 54  
CH-1007 Lausanne  
Switzerland  
Tel: +41(0)21/345.10.70  
Fax: +41(0)21/345.10.77  
Email: [sec@fai.org](mailto:sec@fai.org)  
Web: [www.fai.org](http://www.fai.org)*

**FEDERATION AERONAUTIQUE INTERNATIONALE**  
**MSI - Avenue de Rhodanie 54 – CH-1007 Lausanne – Switzerland**

---

Copyright 2018

All rights reserved. Copyright in this document is owned by the Fédération Aéronautique Internationale (FAI). Any person acting on behalf of the FAI or one of its Members is hereby authorised to copy, print, and distribute this document, subject to the following conditions:

- 1. The document may be used for information only and may not be exploited for commercial purposes.**
- 2. Any copy of this document or portion thereof must include this copyright notice.**
- 3. Regulations applicable to air law, air traffic and control in the respective countries are reserved in any event. They must be observed and, where applicable, take precedence over any sport regulations.**

Note that any product, process or technology described in the document may be the subject of other Intellectual Property rights reserved by the Fédération Aéronautique Internationale or other entities and is not licensed hereunder.

# RIGHTS TO FAI INTERNATIONAL SPORTING EVENTS

All international sporting events organised wholly or partly under the rules of the Fédération Aéronautique Internationale (FAI) Sporting Code<sup>1</sup> are termed *FAI International Sporting Events*<sup>2</sup>. Under the FAI Statutes<sup>3</sup>, FAI owns and controls all rights relating to FAI International Sporting Events. FAI Members<sup>4</sup> shall, within their national territories<sup>5</sup>, enforce FAI ownership of FAI International Sporting Events and require them to be registered in the FAI Sporting Calendar<sup>6</sup>.

An event organiser who wishes to exploit rights to any commercial activity at such events shall seek prior agreement with FAI. The rights owned by FAI which may, by agreement, be transferred to event organisers include, but are not limited to, advertising at or for FAI events, use of the event name or logo for merchandising purposes and use of any sound, image, program and/or data, whether recorded electronically or otherwise or transmitted in real time. This includes specifically all rights to the use of any material, electronic or other, including software that forms part of any method or system for judging, scoring, performance evaluation or information utilised in any FAI International Sporting Event<sup>7</sup>.

Each FAI Air Sport Commission<sup>8</sup> may negotiate agreements, with FAI Members or other entities authorised by the appropriate FAI Member, for the transfer of all or parts of the rights to any FAI International Sporting Event (except World Air Games events<sup>9</sup>) in the discipline<sup>10</sup>, for which it is responsible<sup>11</sup> or waive the rights. Any such agreement or waiver, after approval by the appropriate Air Sport Commission President, shall be signed by FAI Officers<sup>12</sup>.

Any person or legal entity that accepts responsibility for organising an FAI Sporting Event, whether or not by written agreement, in doing so also accepts the proprietary rights of FAI as stated above. Where no transfer of rights has been agreed in writing, FAI shall retain all rights to the event. Regardless of any agreement or transfer of rights, FAI shall have, free of charge for its own archival and/or promotional use, full access to any sound and/or visual images of any FAI Sporting Event. The FAI also reserves the right to arrange at its own expense for any and all parts of any event to be recorded.

- 
- 1 FAI Statutes, ..... Chapter 1, .....para. 1.6
  - 2 FAI Sporting Code, Gen. Section, ..... Chapter 4, .....para 4.1.2
  - 3 FAI Statutes, ..... Chapter 1, .....para 1.8.1
  - 4 FAI Statutes, ..... Chapter 2, .....para 2.1.1; 2.4.2; 2.5.2 and 2.7.2
  - 5 FAI By-Laws, ..... Chapter 1, .....para 1.2.1
  - 6 FAI Statutes, ..... Chapter 2, .....para 2.4.2.2.5
  - 7 FAI By-Laws, ..... Chapter 1, .....paras 1.2.2 to 1.2.5
  - 8 FAI Statutes, ..... Chapter 5, .....paras 5.1.1, 5.2, 5.2.3 and 5..2.3.3
  - 9 FAI Sporting Code, Gen. Section, ..... Chapter 4, .....para 4.1.5
  - 10 FAI Sporting Code, Gen. Section, ..... Chapter 2, .....para 2.2.
  - 11 FAI Statutes, ..... Chapter 5, .....para 5.2.3.3.7
  - 12 FAI Statutes, ..... Chapter 6, .....para 6.1.2.1.3

## **PAGE DELIBERATELY LEFT BLANK**

*So that the following section begins on a front sided-page if printed back-to-back*

# INTRODUCTION TO FAI SPORTING CODE SECTION 4

FAI Sporting Code Section 4 contains the rules and regulations for FAI recognised activities in model aircraft and space models. These regulations are the responsibility of the FAI Aeromodelling Commission (CIAM) and complement the General Section of the FAI Sporting Code which contains the rules and regulations common to all FAI activities.

Section 4 is split into Volumes to ease downloading the regulations for specific activities.

Present Volume "CIAM General Rules" gives the general rules for CIAM activities and events.

The dedicated Volumes contain all specific information for the activity concerned: rules for official and provisional classes, World Cup rules, guides for organisers and judges. There is also a dedicated Volume for records.

The dedicated Volumes are as below:

## **Model aircraft contests**

Free Flight	F1
Control Line	F2
RC Aerobatics	F3 Aerobatics
RC Soaring	F3 Soaring
RC Helicopter	F3 Helicopter
RC Pylon Racing	F3 Pylon Racing
RC Multi-rotor FPV Racing	F3 Multi-rotor FPV Racing
Scale Model Aircraft	F4
RC Electric Powered	F5
Aerostats	F7

**Space model contests** S

**Records** RECORDS

**Electronic devices in contest** EDIC

*Note:*

*The use of "shall" and "must" implies that the aspect concerned is mandatory. The use of "should" implies a non-mandatory recommendation; "may" indicates what is permitted, and "will" indicates what is going to happen.*

*Words of masculine gender shall be taken as including the feminine gender unless the context indicates otherwise.*

*Words expressing the singular will be taken to include the plural and vice versa.*

*Italics are used for explanatory notes.*

**THIS 2018 EDITION INCLUDES THE FOLLOWING AMENDMENTS MADE TO THE 2017 CODE**

**These amendments are marked by a double line in the right margin of this edition**

Paragraph	Plenary meeting approving change	Brief description of change	Change incorporated by
A.6.4	2017	Extension of 'Dismissal' procedure to include a procedure for suspension.	Kevin Dodd CIAM Technical Secretary
A.6.5		Addition of Section 12 to responsibilities.	
A.6.6		Extension of time for dissemination of December Bureau minutes to 30 January.	
A.8		Additional methods for submission of Technical Expert nominations.	
C.4		Clarification regarding sanction fee and cancelled events.	
C.5.1.4		Deletion of specific advice regarding anti-doping policy with reference to FAI website.	
C.5.3		Inclusion of paragraph regarding rights of junior world or continental champions.	
C.6		Deletion of specific advice regarding FAI Sporting Licence policy with reference to FAI website.	
C.7.2		Amendment to give the organiser at World, Continental Championships and WAG, the responsibility for selecting the FAI Jury.	
C.7.5		Amendment to give the organiser at World, Continental Championships and WAG, the responsibility for selecting judges and reserve judges.	
C.9		Additional methods for submission of Judge nominations.	
C.10		Addition of F5J.	
C.13.1		Amendment regarding provision of class rules for information at Championships.	
C.15.1		Clarification of procedure for naming F1 championships to make it more explicit.	
C.15.2.1		Addition of F5J to list of current World Championships.	
C.15.6.1		Clarification of protocol for dissemination of awards to competitors at Championships.	
C.15.6.2		Clarification of protocol regarding national teams at the awards ceremony.	
C.15.7		Addition of advice regarding attendance at closing ceremonies.	
C.19.1	Addition to 'unsporting behaviour', where penalties may be imposed.		

**Four-Year Rolling Amendments for Reference**

Paragraph	Plenary Meeting approving change	Brief description of change
Revision of the 'Volume ABR' with a new structure of the document. Naming of the Volume is replaced by "CIAM General Rules". The part relative to records has been removed in a dedicated Volume. Each form, template, table and list downloadable from the "Documents" section of the CIAM website is mentioned in the appropriate paragraph of the present CIAM General Rules Volume. Main amendments of the rules introduced compared to Volume ABR are defined below.		
A.1	2016	Introduction of CIAM general provisions (constitution, aims and objectives, duties and powers, duration).
A.2		Introduction of CIAM general rules relative to authority and automatic revision.
A.3		Description of the CIAM organisation.
A.5		Introduction of the possibility of a location other than Lausanne for the CIAM Plenary Meeting.
A.6.1		Clarification of the Bureau composition: all Chairmen of permanent Subcommittees are members.
A.6.3		Introduction of procedure in case of resignation of a Bureau member.
A.6.4		Introduction of procedure for dismissal of a Bureau member.
A.6.5		Deletion of the reference to the Assistant Secretary tasks.
A.6.6		Clarification on Bureau Meeting Minutes.
A.7		Introduction of the FPV Racing and Similar Activities Subcommittee.
A.8		List of the current types of technical experts.
A.9		Replacement of 'rule' by 'class' for provisional and official classification.
A.10.2		Clarification of the possibility of amendments to rule changes not yet implemented.

A.13	List of the current CIAM awards.
A.14 e)	Clarification for payment of the Aeromodelling Scholarship.
B.1.1	Introduction of the definition of 'aircraft', 'aerodyne' and 'aerostat'.
B.1.2.5	Change of the status of the F5J class: official class instead of provisional class. Deletion of the provisional classes F5A and F5H.
B.1.3	Clarification of the names of the model aircraft classes. Application of the noise limits to model aircraft with electric motors.
B.2	Introduction of general specifications relative to class S.
B.3	Introduction of general specifications relative to class U.
B.4	Introduction of complementary definitions of expressions. Definition of "ballast" deleted: definition must be precisely defined in the concerned class.
C.2	Restructure according to the FAI General Section of the types of CIAM international events.
C.3	Clarification of registration of events in the FAI Sporting Calendar.
C.5.1.2	Deletion of the requirement that the competitor must be the builder of the model.
C.6	Mention of the option for individual classes to also request a valid FAI Sporting Licence for some participants (helper, mechanic, caller, ...) other than competitors.
C.7.1	Mention of the dissolution of the FAI Jury according to the FAI Sporting Code General Section.
C.7.4	Introduction of the World Cup Board.
C.9	List of the current types of international judges.
C.10.2	Introduction of the number of models eligible for entry in class S.
C.11.1	Deletion of "or, for Free Flight, each part of the model" (at the end of line b).
C.11.2	Introduction of the identification marks requirements for class S.
C.14.1	Moratorium of at least 4 years not applicable for popular classes with more than 300 competitors at the World Cup competitions.
C.15.2	List of the current World Championships for classes F and S.
C.15.4	Clarification relative to information bulletins for WCh and CCh.
C.15.5	Clarification on entry fees (C.15.5.1) and optional fees (C.15.5.2).
C.15.8	Clarification relative to WCh and CCh results.
C.20.3	Amendment regarding the time limit for lodging a protest relative to the official results.
C.19	Introduction of penalties that may be imposed by the contest director or CIAM Bureau.
C.21	Clarification relative to CIAM trophies.

## **- TABLE OF CONTENTS -**

<b>SECTION A - CIAM INTERNAL REGULATIONS .....</b>	<b>9</b>
A.1 GENERAL PROVISIONS .....	9
A.2 CIAM GENERAL RULES.....	9
A.3 CIAM ORGANISATION .....	9
A.4 LANGUAGE .....	9
A.5 PLENARY MEETING.....	9
A.6 BUREAU .....	10
A.7 SUBCOMMITTEES.....	12
A.8 TECHNICAL EXPERTS LIST .....	13
A.9 CLASSIFICATION OF CLASSES.....	13
A.10 SUBMISSION OF PROPOSALS TO THE CIAM.....	13
A.11 EMERGENCY SAFETY RULES & NOTICES .....	15
A.12 AEROMODELLING FUND.....	15
A.13 CIAM AWARDS .....	15
A.14 AEROMODELLING SCHOLARSHIP.....	16
<b>SECTION B - GENERAL SPECIFICATIONS FOR CIAM CLASSES.....</b>	<b>17</b>
B.1 CLASS F - MODEL AIRCRAFT .....	17
B.2 CLASS S - SPACE MODELS .....	20
B.3 CLASS U - UNMANNED AERIAL VEHICLE .....	21
B.4 DEFINITIONS OF EXPRESSIONS .....	21
<b>SECTION C - CIAM GENERAL RULES FOR INTERNATIONAL EVENTS.....</b>	<b>25</b>
C.1 GENERAL DEFINITION OF INTERNATIONAL EVENTS.....	25
C.2 TYPES OF INTERNATIONAL EVENTS.....	25
C.3 FAI SPORTING CALENDAR .....	26
C.4 SANCTION FEES .....	27
C.5 COMPETITORS, TEAM MANAGER AND NATIONAL TEAM .....	27
C.6 FAI SPORTING LICENCE .....	28
C.7 CONTEST OFFICIALS .....	28
C.8 FAI JURY PACK .....	30
C.9 JUDGES LISTS .....	31
C.10 NUMBER OF MODELS ELIGIBLE FOR ENTRY .....	31
C.11 IDENTIFICATION MARKS.....	31
C.12 MODEL PROCESSING .....	32
C.13 REQUIREMENTS FOR ORGANISATION OF INTERNATIONAL EVENTS .....	33
C.14 CHAMPIONSHIP STATUS .....	34
C.15 ORGANISATION OF WORLD AND CONTINENTAL CHAMPIONSHIPS .....	35
C.16 REQUIREMENTS OF ORGANISERS OF INTERNATIONAL EVENTS .....	40
C.17 DURATION AND INTERRUPTION OF A CONTEST.....	42
C.18 SAFETY .....	42
C.19 PENALTIES .....	43
C.20 COMPLAINTS AND PROTESTS .....	45
C.21 CIAM TROPHIES.....	45



## SECTION A - CIAM INTERNAL REGULATIONS

### A.1 GENERAL PROVISIONS

#### A.1.1 Constitution

The Aeromodelling Commission of the Federation Aéronautique Internationale (FAI) named Commission Internationale d'AéroModélisme (CIAM) is a permanent FAI Air Sport Commission (see FAI Statutes 5.1.2.1), established in accordance with the FAI Statutes and By-Laws to be responsible for all matters relating to flying aeromodels and spacemodels (see FAI Statutes 5.2.3.3.7.6). This concerns the following two FAI classes:

- Class F - Model Aircraft
- Class S - Space Models

In addition, the CIAM is responsible for records for: Class U - Unmanned Aerial Vehicle (UAV).

The CIAM is responsible to the FAI General Conference (see FAI Statutes 5.1.2.6) and is under obligation to implement the FAI Statutes (5.2.3.3), By-Laws and Sporting Code.

#### A.1.2 Aims and objectives

In accordance with the FAI Statutes (1.2), CIAM shall promote FAI aims and objectives in building and flying model aircraft and space models.

#### A.1.3 Duties and powers

The CIAM shall exercise its duties, powers, functions and responsibilities in accordance with the FAI Statutes (1.3 & 5.2.3), By-Laws and General Section of the Sporting Code, and with its own internal regulations defined in the present Volume.

#### A.1.4 Duration

The CIAM is a permanent Commission of the FAI, established by the FAI General Conference for an unlimited period of time (see FAI Statutes 3.4.1.9 & 5.1.2.4).

### A.2 CIAM GENERAL RULES

#### A.2.1 Authority

The CIAM is authorised to prepare, approve and publish general rules to cover its own procedures within the parameters of the FAI Statutes By-Laws and Sporting Code (see FAI Statutes 5.1.5).

#### A.2.2 Automatic revision

The present Volume shall be automatically revised in accordance with any change in the FAI Statutes, By-Laws and General Section of the Sporting Code.

### A.3 CIAM ORGANISATION

CIAM's official elements are:

1. The Plenary Meeting, the governing body of the CIAM, which shall deal with and decide on all CIAM legislative, executive, financial and procedural matters within its responsibilities.
2. The Bureau, which, between Plenary Meetings, carries out the policy and directions of the Plenary Meeting, and may exercise certain responsibilities as defined by the Plenary Meeting and specified in the present Volume (see FAI By-Laws 3.2.1 & 3.2.2).
3. Permanent or Temporary Subcommittees established by the Plenary Meeting and responsible only to the Plenary Meeting (see FAI Statutes 5.1.2.5).
4. Permanent or Temporary Working Groups established by the Plenary Meeting or Bureau and responsible to the Plenary Meeting or the Bureau (see FAI Statutes 5.1.2.5).

### A.4 LANGUAGE

The working language of the CIAM shall be English, and all documents, minutes, rules etc. shall be prepared and presented in English.

### A.5 PLENARY MEETING

The Plenary Meeting shall convene once a year in March or April, or at such other times as shall be decided by the President.

According to FAI By-Laws 3.4.3:

- CIAM shall normally meet at, or in the vicinity of, the FAI Head Offices in Lausanne but may meet in other locations provided it has been voted by an absolute majority (> 50 %) of the Plenary Meeting;
- the host organisation shall pay all costs including suitable travel, hotel and administrative expenses for the FAI Secretary General and/or his authorised representatives to attend.

Another location for a CIAM Plenary Meeting will be selected by means of a vote on hosting proposals made by CIAM Delegates.

#### **A.5.1 Agenda**

The Agenda for the Plenary Meeting is prepared by the Secretary in agreement with the President, and distributed by the FAI Office.

The Agenda shall include proposals drawn up in the manner required in A.10.

The Agenda shall be despatched to the NACs and the officers of the Bureau with the notice convening the Meeting not later than 45 days before the Meeting.

If the Agenda is not sent out in proper time, the Plenary Meeting may be postponed by the President.

The President may add to the Agenda any matter considered to be urgent.

#### **A.5.2 Technical Meetings**

On the first day there will be preliminary Technical Meetings held by the Chairmen of the appropriate Subcommittees. These Meetings shall consider items in the Agenda for the purpose of discussion and briefing of all those present and shall, through the Subcommittee Chairman, make their recommendations thereon, together with the recommendations resulting from voting in the Subcommittee proper, to the Plenary Meeting.

Under normal circumstances, in step with the rule change procedure, a Technical Meeting may be held every two years according to the two-year cycle rule changes (see A.10.2) which means the year of the World Championship for an official class with championship status.

In case of emergency safety proposals or issues considered urgent by the Subcommittee Chairman, the Chairman is entitled to schedule an interim Meeting.

Eligible to attend are Subcommittee members, voting Delegates, Alternates and any others approved by their National Airsports Control (NAC). Among those eligible to attend, only one person per country may vote.

#### **A.5.3 Voting procedure**

The voting system for Plenary Meeting and Technical meetings is that of a simple majority.

The votes for a proposal are counted and then the votes against the proposal are counted.

The higher number of votes decides whether the proposal succeeds or fails. Abstentions do not affect the outcome and are not counted.

#### **A.5.4 Plenary Meeting Minutes**

The Minutes of the Plenary Meeting are to be drafted by the Secretary, approved by the President and distributed by the FAI Office not later than 6 weeks after the Meeting.

### **A.6 BUREAU**

#### **A.6.1 Composition**

The Bureau is composed of a President, three Vice Presidents, one of whom shall assume the duties of Treasurer, a Secretary, a Technical Secretary, plus the Chairmen of the permanent Subcommittees.

If none of the Vice Presidents can act as Treasurer, then Bureau may appoint a Treasurer who will not have any voting rights at Bureau.

The CIAM Presidents of Honour may be invited by the President to take part in the Bureau Meetings but do not have voting rights.

The President may also invite representatives of the NACs preparing World Championships or other persons required for the business of the Bureau.

#### **A.6.2 Term of office and election**

In accordance with FAI Statute 5.1.2.8, the term of office for the entire Bureau, and any Treasurer appointed by Bureau, will be two years.

*cont/...*

At each even-year Plenary Meeting, the CIAM shall elect a President, three Vice Presidents, a Secretary and a Technical Secretary by a secret ballot for a two year term.

The rest of the Bureau members (Subcommittee Chairmen) shall be elected as described in A.7.1.

### **A.6.3 Resignation**

If a Bureau member at any time submits a resignation to the Bureau, it shall be accepted with immediate effect and that Officer shall thereafter have no standing as a CIAM Officer. If the President resigns, the 1<sup>st</sup> Vice President will assume the duties of the President until the next Plenary Meeting.

If a Vice President resigns, the other Vice Presidents will assume the duties of that Vice President until the next Plenary Meeting.

If the Secretary, or the Technical Secretary or the Treasurer, or any Subcommittee Chairman resigns, the Bureau will appoint a replacement to serve until the next Plenary Meeting.

The same procedure will apply if a Bureau member is permanently incapacitated or dies.

If the election corresponding to the Bureau member's position is not scheduled to be held at the next Plenary Meeting, an election shall however be held in order to fill any Bureau vacancy caused by any resignation for the one year remaining of the two year term.

### **A.6.4 Suspension and Dismissal**

Where the CIAM Bureau Members are of the opinion that a Bureau Member has:

- (a) persistently refused or neglected to comply with a provision or provisions of the rules of the FAI/CIAM; or
- (b) persistently and wilfully acted in a manner prejudicial to the interests of the FAI/CIAM ; or
- (c) committed a single act of sufficient seriousness to the interests of the FAI/CIAM;

Bureau, with a qualified majority ( $\frac{2}{3}$ ) vote in favour, may suspend and/or temporarily replace the Bureau member, whichever is appropriate.

The CIAM Secretary shall without further delay, send a written notice to the Bureau Member affected, informing about the decision of the CIAM Bureau to impose a suspension and/or temporary replacement and the grounds on which it was based. The FAI Secretary General and the CASI Secretary shall be copied in on this communication.

The notice shall state that the Bureau Member may appeal the decision of the CIAM Bureau by email to the CASI Secretary not later than 90 days after service of the notice. CASI will act as the FAI Final Court of Appeal. The appeal will be treated as per the provisions of the FAI Sporting Code General Section.

On receipt of an appeal, the CASI Secretary shall acknowledge receipt of the appeal to the CIAM Bureau member concerned and notify Bureau and the FAI Secretary General.

Should no appeal be forthcoming in the due time period, the CIAM Secretary shall notify Bureau and place the matter on the agenda for the next CIAM Plenary Meeting for action.

The continued suspension, replacement, or dismissal of a Bureau member can only be decided by the Plenary Meeting with an absolute majority (50%) vote in favour.

In the case of replacement or dismissal, the election of a successor will be held at the Plenary Meeting in order to fill the vacancy for the remainder of the term of office.

### **A.6.5 Competence**

The following matters are within the Bureau's competence:

- a) The interpretation, application and control of CIAM decisions.
- b) The control of organisation of World and Continental Championships.
- c) The approval of World and Continental Championships Juries and Judges, including the Range Safety Officer (RSO) at Space Modelling Championships.
- d) The submission of proposals to the CIAM.
- e) The accomplishment of any mission conferred by the Plenary Meeting.
- f) The approval of the lists of Judges and Technical Experts.

It is not in the competence of the Bureau to alter decisions taken during the Plenary Meeting regarding the maximum entry fee for participants at World and Continental Championships.

The Secretary shall keep a register of the CIAM perpetual trophies and be responsible for preparing the Minutes of each Meeting and sending them to the FAI Office and the President within 4 weeks.

*cont/...*

The Technical Secretary shall be responsible for maintaining the current FAI Sporting Code Section 4 and Section 12 complete with amendments and additions in accordance with the decisions of the CIAM. He will also co-ordinate the work of the Subcommittees as necessary. The Technical Secretary will also check the record attempt dossiers.

The Bureau meets once in December, and then just before the Plenary Meeting and when convened by the President.

#### **A.6.6 Bureau Meeting Minutes**

The Minutes of the December Bureau Meeting shall be sent by the Secretary electronically to the Bureau members, Subcommittee Chairmen and the FAI Office no later than 30<sup>th</sup> January each year.

The Minutes of the other Bureau Meetings are to be drafted by the Secretary, approved by the President and distributed by the FAI Office not later than 6 weeks after the Meeting.

Interim decisions made by the Bureau must be included in the next Bureau Meeting Minutes.

#### **A.7 SUBCOMMITTEES**

The CIAM may set up Subcommittees, which are consulted for advice on sporting and technical matters in the special category concerned.

*Note: The current permanent Subcommittees are:*

<i>F1 Free Flight</i>	<i>F3 Soaring</i>
<i>F2 Control Line</i>	<i>F4 Scale</i>
<i>F3 Aerobatics</i>	<i>F5 Electric</i>
<i>F3 Helicopters</i>	<i>F7 Aerostats</i>
<i>F3 Pylon Racing</i>	<i>S Space Modelling</i>
<i>F3 FPV Racing and Similar Activities</i>	<i>Education</i>

##### **A.7.1 Election of Subcommittee Chairmen**

The CIAM elects by secret ballot the Chairman of each Subcommittee for a period of two years, with a compulsory confirmation after one year.

The election shall occur at the Plenary Meeting during the year in which a Subcommittee may have a regularly scheduled Meeting for decision purposes and in which a World Championship for the subject category is held. For F1, the election year is the year in which the F1ABC Senior World Championships take place and for F3 Soaring it is the year in which the F3B World Championship takes place.

The Chairman may be re-elected for an unlimited number of terms. He may not serve on more than one Subcommittee simultaneously.

*Note: Election of the Subcommittee Chairmen are held as follows:*

<b>Odd years</b>	<b>Even Years</b>
<i>F1 Free Flight</i>	<i>F2 Control Line</i>
<i>F3 Aerobatics</i>	<i>F4 Scale</i>
<i>F3 Helicopters</i>	<i>F5 Electric</i>
<i>F3 Soaring</i>	<i>F7 Aerostats</i>
<i>F3 Pylon Racing</i>	<i>FPV Racing and similar activities</i>
	<i>S Space Modelling</i>
	<i>Education</i>

##### **A.7.2 Composition**

Each Subcommittee shall consist of a minimum of six members including the Chairman, all of different nationality, regardless of the number of members.

The Subcommittee Chairman selects the members from the approved list of technical experts. The Subcommittee Chairmen shall on their own initiative invite other persons as members, but they must be approved by their NAC. The NAC may suggest but not appoint alternative members.

The Subcommittee members serve as individual expert consultants and are not obliged to represent the views of their NAC.

The Subcommittee Chairmen must send the list of the members of their respective Subcommittee as soon as they have been established to the President and the FAI Office. The same procedure applies for any changes in the membership of the Subcommittees.

The Subcommittee Chairman must publish on the official FAI website the list of the members of his Subcommittee by 1<sup>st</sup> May of every year.

**A.7.3 Subcommittee work**

The Subcommittee Chairmen are free to organise the work of their Subcommittees, meetings, correspondence etc., as they consider most efficient.

The Subcommittees may in no circumstance publish recommendations, guides or rules, which have not been previously approved by the CIAM or the Bureau.

The Subcommittee Chairman will circulate the Plenary Meeting's official Agenda to the Subcommittee members and ask for a vote, this vote to be presented to the Plenary Meeting together with the result from the Technical Meeting at the Plenary Meeting.

**A.8 TECHNICAL EXPERTS LIST**

- a) Nominations for persons to be put on the list of technical experts must be received by the FAI Office no later than 15<sup>th</sup> November. The nominations may be submitted on paper, by email or by using the on-line submission procedure available on the FAI web site.
- b) The list is valid for two years starting the following January and is updated annually. If no list is presented by the deadline in any year, then the old list stands for one more year. Subcommittee members should be chosen from the list. The nomination must contain the information requested by the FAI Office on the electronic forms it sends to NACs.
- c) To comply with the principle of NACs and Airsports Persons, NACs are only permitted to submit names of persons of their own NAC.
- d) The Subcommittees' terms of office will be between Plenary Meetings.
- e) Technical experts may be nominated for each category in the following classes:

Free Flight F1A, F1B, F1C, F1D, F1E	Control Line F2A, F2B, F2C, F2D
RC Aerobatics F3A, F3M, F3P, F3S	RC Helicopter F3C, F3N
RC Soaring F3B, F3F, F3J, F3K	RC Pylon Racing
Scale	Electric Flight F5B, F5D, F5J
Aerostats	FPV Racing
Space Modelling	Education

*Note: a person may be nominated technical expert for more than one class and even for all classes of a Subcommittee.*

**A.9 CLASSIFICATION OF CLASSES**

Classes may be official or provisional.

Only official classes may be considered for a World Championship status.

*Note: CIAM classes (official and provisional ones) are listed in Section B of the present Volume. Official classes with championship status are identified in C.15.2. The list of the CIAM classes is also downloadable from "Documents" section of the CIAM website <http://www.fai.org/ciam-documents>.*

**A.9.1 Change of class from provisional to official**

Before being considered for adoption by the CIAM as an official FAI class, rules of the provisional class must first have been used in each year of a two-year period up to the year of consideration.

The rules must have been used in at least five international contests, or three World Cup contests. All the contests must be registered on the FAI Sporting Calendar and involve a total of at least five FAI member countries with at least two countries per contest and at least 50 competitors in total per year.

**A.9.2 National classes**

In order to attract more participants in model aircraft competitions, each NAC is encouraged to establish further national model aircraft classes in addition to FAI classes. A NAC does not require permission from FAI to have its own classes.

**A.10 SUBMISSION OF PROPOSALS TO THE CIAM****A.10.1 Requirements for proposals**

Each proposal must conform to the following requirements:

- a) State the Volume in the FAI Sporting Code, or its relevant approved amendments, to which the proposal refers.

- b) Quote the relevant paragraph and/or heading from the FAI Sporting Code.
- c) Detail exactly what the alteration or addition to the wording is to be. Deleted text should be shown as strike-through, new text as bold underlined format.
- d) Give the reason(s) behind the proposed alteration in a short separate paragraph.
- e) All technical amendments must be accompanied by supporting data.
- f) Submit each proposal on a separate document regardless of category.
- g) All rule proposals, guides and whatever items accepted for the Agenda must be made available electronically in rich text format (RTF) or Word 97-2003 to facilitate compilation of the Agenda.

*Note: To facilitate the generation of proposals in the accepted format, a Word document containing the above layout and a help file on document naming is downloadable from "Documents" section of the CIAM website <http://www.fai.org/ciam-documents>.*

#### **A.10.2 Effective date of rule changes**

- a) For official classes, a period of two years of no changes to model aircraft/space model specifications, manoeuvre schedules and rules will be strictly enforced.
- b) The two-year cycle shall be as follows:
  - Official class with championship status: in step with the World Championship cycle.
  - Other official class: in step with the second year of the two-year anniversary cycle of the date of the Plenary Meeting at which the class was approved as official.
- c) Rules can be amended in the years as follows:
  - Official class with championship status: in the year of a World Championship.
  - Other official class: in the second year of the two-year cycle.

Any change will become effective the following January unless a different date is specified and approved at the Plenary Meeting.
- d) Provisional classes are not subject to this two-year rule cycle.
- h) Amendments to rule changes not yet implemented shall be as follows:
  - i) Not permitted for rules approved for implementation in the year following approval.
  - ii) Permitted for "advanced publication" rules that have been approved by Plenary Meeting with an implementation date of at least three years in the future. These rules must have been published in a special annex at the back of the appropriate Volume of the FAI Sporting Code.

This advance publication must be made in the year following approval by the Plenary Meeting.
- e) The only exceptions allowed to the procedure above are genuine and urgent safety matters, indispensable rule clarifications and noise rulings.
- g) All proposals are first to be carefully scrutinised by the Chairmen of the relevant Subcommittees who will check them for validity before presenting them to the Bureau. It will be the Chairman's duty to point out any ambiguities or lack of conformity with CIAM requirements in the proposal, as well as any effects it may have on other regulations. Apart from the exceptions stated above, proposals will only be accepted on Plenary Agendas in years for which Technical Meetings are entitled to be held. This shall not apply to provisional classes.

#### **A.10.3 Submission procedure**

Proposals may be submitted to the CIAM by:

- a) All NACs and/or NAC approved CIAM Delegates.
- b) The Bureau.
- c) The Chairmen of the Subcommittees subsequent to the agreement of the majority of the members of the Subcommittee concerned.

All proposals from Subcommittees and NACs for the Plenary Meeting must be submitted through the FAI automatic submission process in the correct format between 1<sup>st</sup> August and 15<sup>th</sup> November of the year immediately preceding the Plenary Meeting at which the proposals may be considered within the appropriate two-year rule cycle.

*Note: The web address for the automatic submission process will generally be included in the reminder letter that the FAI Office sends out or it may be obtained directly from the FAI Office.*

*cont/...*

The Technical Secretary will email the proposals to the relevant Subcommittee Chairman, who must present their findings in print at the December Bureau Meeting. Proposals are to be approved at the Bureau Meeting after which the Technical Secretary sets up a draft of the proposals section of the Plenary Meeting Agenda to be approved by the President. The finalised Agenda will be sent by the Secretary to the FAI Office who will arrange to send it out to the NACs.

Any proposals received out of sequence with the appropriate two-year cycle (see A.10.2) will need to be re-submitted by the proposer in the correct year.

*Note: Neither the CIAM nor the FAI Office has the resources to retain such proposals on file until the next Plenary Meeting.*

## **A.11 EMERGENCY SAFETY RULES & NOTICES**

### **A.11.1 Emergency safety rules**

- a) New or amended safety rules shall be effective one calendar month from the end of the Plenary Meeting of that year or for the next CIAM approved contest, in the category affected, whichever is the sooner.
- b) Any amended or new safety rule(s) shall appear in the Organiser Bulletins of the appropriate championship(s) being held that year.
- c) All safety rules shall be the responsibility of the Technical Secretary who shall liaise with the appropriate Subcommittee Chairman regarding specific safety rule(s).

### **A.11.2 Emergency safety notices**

- a) NACs shall be informed of any safety notice by email within five days of the end of the Plenary Meeting or the agreement of a majority of the Bureau in the case of safety notices that need to be generated between Plenary Meetings.
- b) Any safety notice shall appear on the CIAM homepage of the FAI website within five days of the end of the Plenary Meeting or the Bureau decision to issue such a notice taken between Plenary Meetings.
- c) All safety notices shall be the responsibility of the Technical Secretary who may liaise with the appropriate Subcommittee Chairman regarding the formulation of any such notice.
- d) It will be the responsibility of the Technical Secretary, or in his absence, the Secretary, to liaise with the FAI Office as necessary regarding the formal promulgation of any safety notice.

## **A.12 AEROMODELLING FUND**

An Aeromodelling Fund shall be maintained to hold monies paid as sanction fees for listing events in the FAI Sporting Calendar. See C.4 for the sanction fees.

The fund shall be used for:

- a) paying of unrecovered costs of publishing the CIAM Flyer;
- b) paying the cost of FAI Medals and Diplomas for Model Aircraft and Space Modelling World Cup contests;
- c) paying the cost of refurbishment of World Championship Trophies when required;
- d) re-imbusement of the transport and accommodation costs incurred by the President or his alternate in attending the FAI General Conference, the Bureau and Plenary Meetings;
- e) paying the costs, to the limit of available funds in any year, not properly a charge on a NAC, of attendance at Bureau Meetings;
- f) the single payment for the CIAM Aeromodelling Scholarship as and when it is awarded (see A.14).

## **A.13 CIAM AWARDS**

The current CIAM awards are:

- Aeromodelling Gold Medal
- Alphonse Penaud Diploma
- Antonov Diploma
- Andrei Tupolev Medal
- Andrei Tupolev Diploma
- Frank Ehling Diploma

The characteristics of each CIAM award are defined in FAI By-Laws (7.7).

Submissions of nominations for CIAM awards must be received on the standard forms by the FAI Office no later than 15<sup>th</sup> November.

*Note: The standard forms are downloadable from "Documents" section of the CIAM website <http://www.fai.org/ciam-documents>.*

#### **A.14 AEROMODELLING SCHOLARSHIP**

- a) The Aeromodelling Scholarship may be awarded to one appropriately qualified person from age 16 up to age 21 in the year of nomination to help with the education of the successful nominee.
- b) Only one person from a country may be nominated annually by that candidate's NAC.
- c) Only one Scholarship may be awarded in any one year.
- d) Procedure:

- i) A NAC sends to the FAI Office the nomination form duly completed, stamped and signed plus the required documentation to be received by 15<sup>th</sup> November.

*Note: The nomination form is downloadable from "Documents" section of the CIAM website <http://www.fai.org/ciam-documents>.*

- ii) All forms and attached documentation, including personal statements, will be forwarded to the CIAM Scholarship Selection Group of seven world-wide Education Experts, who shall independently consider the nominations and place the candidates in descending order of merit. Any member of the Selection Group who is related to, or close friends with, any of the nominees must excuse himself from the selection procedure of that year.

- iii) The Bureau shall scrutinise the recommendations and nominate one candidate to be presented to the Plenary Meeting for approval. The Plenary Meeting awards the Scholarship.

#### e) Payment

- i) The FAI will transfer the Scholarship award of 2,000 Euros to the awarded student, or his/her parents or his/her guardians after all valid receipts which justify the full amount of the Scholarship have been submitted.

- ii) The receipts must prove the payment of the tuition fees of schools, or colleges or universities or the financial funding of educational books or other educational equipment and have to be issued to the awarded student or clearly indicate that they are for his/her benefit. The receipts are to be summarised in English using the CIAM expenses summary form.

*Note: The CIAM expenses summary form is downloadable from "Documents" section of the CIAM website <http://www.fai.org/ciam-documents>.*

- iii) The FAI office shall forward all receipts to the CIAM Treasurer for monitoring purposes.

- iv) The Delegate of the NAC administering the Scholarship award shall present a report at the following Plenary Meeting (to be received by the FAI Office by the previous 15<sup>th</sup> November).

#### e) CIAM Scholarship cycle

15 <sup>th</sup> November	Deadline for candidate submissions
Following March	Candidate approved by Plenary Meeting
Following 15 <sup>th</sup> November	Deadline for CIAM Scholar's report for next Plenary by NAC Delegate
	Deadline for next candidate submissions
Following March	Next candidate approved by Plenary Meeting



## SECTION B - GENERAL SPECIFICATIONS FOR CIAM CLASSES

### B.1 CLASS F - MODEL AIRCRAFT

#### B.1.1 General definition

- a) A model aircraft is an aircraft of limited dimensions, with or without a propulsion device, not able to carry a human being and to be used for contest, sport or recreational purposes.
- b) For the whole flight, a radio-controlled model aircraft must be within visual line of sight (VLOS) of the person who directly assumes its control or who is in a situation to take the direct control at any moment, including if the model is being flown automatically to a selected location.
- c) For control line model aircraft, the flier must physically hold the control line handle and control the model aircraft himself.
- d) Free flight model aircraft must be launched by the flier, and must not be equipped with any device that allows them to be flown automatically to a selected location or controlled remotely during the flight other than to stop the motor and/or to terminate the flight.

Regulations applicable to air law, air traffic and control in the respective countries take precedence.

*Note: FAI Sporting Code General Section 2.3 defines an aircraft as a vehicle that can be sustained in the atmosphere by forces exerted on it by the air and states that there are two types of aircraft:*

- Aerodyne defined as a heavier-than-air aircraft which derives its lift in flight mainly from aerodynamic forces.
- Aerostat defined as an aircraft lighter than air.

#### B.1.2 Classification of model aircraft

Official and provisional model aircraft classes are listed below for each category.

*Note: The list of the CIAM classes is downloadable from "Documents" section of the CIAM website <http://www.fai.org/ciam-documents>. Official classes which have championship status are mentioned in C.15.2.*

##### B.1.2.1 Category F1 - Free Flight

- a) This is a flight during which there exists no physical connection between the model aircraft and the competitor or his helper. Radio control functions are allowed only when specifically stated in the rules for the relevant class. Closed loop control systems with active sensors and operating aerodynamic flight controls or moving mass are not allowed, unless allowed in the class rules.
- b) Unless specified otherwise in the rules for a particular class, Free Flight models must be launched with at least one hand holding the fuselage of the model.
- c) This category is divided into the following classes:
  - i) Official classes
    - F1A - FF Gliders
    - F1B - FF "Wakefield"
    - F1C - FF Aircraft with Piston Engines
    - F1D - FF Indoor Aircraft
    - F1E - FF Slope Soaring Gliders
    - F1N - FF Indoor Hand Launch Gliders
    - F1P - FF Introduction Aircraft with Piston Motor
  - ii) Provisional classes
    - F1G - FF "Coupe d'Hiver"
    - F1H - FF Small Gliders
    - F1J - FF Small Aircraft with Piston Motor
    - F1K - FF Aircraft with CO<sub>2</sub> Motor
    - F1L - FF Indoor Aircraft EZB
    - F1M - FF Indoor Beginner's Aircraft
    - F1Q - FF Electric Powered Aircraft
    - F1R - FF Indoor Aircraft Micro 35
    - F1S - FF Small Electric Powered Aircraft "E36"

### B.1.2.2 Category F2 - Control Line Flight

- a) Control Line Flight is flight during which all flight control is accomplished via physical connection to the pilot through one or more inextensible wires or cables directly connected to the model aircraft.  
The control wires or cables must be attached to a hand held device (control handle). Automatic flight path control and/or automatic manoeuvring are not permitted.
- b) Powertrain control may be accomplished by the pilot via the wires or cables or by an onboard self-contained, automatic process.
- c) For initial start-up of the engine(s), any device or system is permitted including the use of 2.4 GHz Spread Spectrum technology legal for use in the concerned country. The competitor will determine the suitability for use of the chosen system. Any such device or system must:
  - i) be operated only by the pilot or assigned mechanics/helpers, and
  - ii) not affect any other model.
- d) For permanent shutdown of the engine(s), any device or system is permitted including the use of 2.4 GHz Spread Spectrum technology legal for use in the concerned country. The competitor will determine the suitability for use of the chosen system.  
Any such device or system:
  - i) must be operated only by the pilot, and
  - ii) must not affect any other model.
- e) A safety strap connecting the competitor's wrist to the control handle must be provided by the competitor and used during all flights. A pull test shall be applied separately to the safety strap. This pull test will be applied according to each class specification concerning the lines' pull test.
- f) The regulations for classes must be set forth in class rules. Except for reasons of safety, class rules must not contradict or invalidate B.1.2.2.
- g) This category is divided into the following classes:
  - i) Official classes
    - F2A - CL Speed
    - F2B - CL Aerobatics
    - F2C - CL Team-Racing
    - F2D - CL Combat
  - ii) Provisional classes
    - F2E - CL Diesel Motor Combat
    - F2F - CL Diesel Profile Team-Racing
    - F2G - CL Electric Speed

### B.1.2.3 Category F3 - Radio Controlled Flight

This is a flight during which the model aircraft is manoeuvred by control surface(s) in attitude, direction and altitude by the flier on the ground using radio control.

This category is divided into the following classes:

- i) Official classes
  - F3A - RC Aerobatic Aircraft
  - F3B - RC Multi-Task Gliders
  - F3C - RC Aerobatic Helicopters
  - F3D - RC Pylon Racing Aeroplanes
  - F3F - RC Slope Soaring Gliders
  - F3J - RC Thermal Duration Gliders
  - F3K - RC Hand Launch Gliders
  - F3M - RC Large Aerobatic Aircraft
  - F3N - RC Freestyle Aerobatic Helicopters
  - F3P - RC Indoor Aerobatic Aircraft
- ii) Provisional classes
  - F3H - RC Soaring Cross Country Gliders

- F3Q - RC Aero-Tow Gliders
- F3R - RC Pylon Racing Limited Technology Aeroplanes
- F3S - RC Jet Aerobatic Aircraft
- F3T - RC Semi-Scale Pylon Racing with Controlled Technology Aeroplanes
- F3U - RC Multi-rotor FPV Racing

**B.1.2.4 Category F4 - Scale Model Aircraft**

A scale model shall be a scaled down replica of a heavier-than-air man-carrying aircraft.

This category is divided into the following classes:

- i) Official classes
  - F4B - CL Scale Aeroplanes
  - F4C - RC Scale Aeroplanes
  - F4H - RC Stand-Off Scale Aeroplanes
- ii) Provisional classes
  - F4A - FF Outdoor Scale Aeroplanes
  - F4D - FF Indoor Rubber Scale Aeroplanes
  - F4E - FF Indoor CO<sub>2</sub> or Electric Scale Aeroplanes
  - F4F - FF Peanut Scale Aeroplanes
  - F4G - RC Large Scale Aeroplanes
  - F4J - RC Team Scale Aeroplanes
  - F4K - RC Scale Helicopters

**B.1.2.5 Category F5 - Radio Control Electric Powered Aircraft**

This category is divided into the following classes:

- i) Official classes
  - F5B - RC Electric Powered Motor Gliders
  - F5D - RC Electric Powered Pylon Racing Aeroplanes
  - F5J - RC Electric Powered Thermal Duration Gliders
- ii) Provisional classes
  - F5E - RC Solar Powered Aeroplanes
  - F5F - RC 6 Cell Electric Powered Motor Gliders
  - F5G - RC Electric Powered Big Motor Gliders
  - F5K - RC Electric Powered Indoor Pylon Racing Aeroplanes

**B.1.2.6 Category F7 - Radio Controlled Aerostats**

This category is divided into the following classes (provisional classes):

- F7A - RC Hot-Air Balloons
- F7B - RC Airships

**B.1.3 General characteristics of a model aircraft**

a) Unless specified otherwise in the rules for a particular class or in the records rules, model aircraft shall meet the following general specifications:

Maximum flying weight with fuel .....	25 kg
Maximum surface area .....	500 dm <sup>2</sup>
Maximum loading .....	250 g/dm <sup>2</sup>
Maximum swept volume of piston motor(s) .....	250 cm <sup>3</sup>
Electric Motors power source max. no load voltage .....	72 volts
Maximum total thrust of turbines .....	25 kg (250 Newton)

b) Noise limits shall be applied to powered model aircraft categories, with 96 dB(A) at 3 metres for any category which does not have approval for any other noise rule. Specific noise measuring procedures are to be developed by each Subcommittee for its category.

c) Noise limits do not apply to model aircraft equipped with turbines.

## B.2 CLASS S - SPACE MODELS

### B.2.1 General definition

- a) A space model is a spacecraft or aerospacecraft of limited dimensions and limited payload-carrying capability, unable to carry a human being or commercial payloads.
- b) A space model is a model rocket or rocket glider that:
  - rises into the air without the use of aerodynamic lift forces to overcome the gravitational forces;
  - is set in motion by the force of a thrust rocket engine(s)
  - is characterised by a vertical or near vertical free ballistic flight – a cone with an angle of 60°;
  - is oriented vertically on the launching device
  - includes a device for returning it safely to the ground in a condition that allows its reuse;
  - is constructed primarily of non-metallic materials.
- c) The ‘thrust rocket engine’ which supplies the propulsive force for the space model is a solid propellant reaction engine in which all chemical ingredients of a combustible nature are pre-mixed and ready for use.
- d) Regulations applicable to air law, air traffic and control in the respective countries take precedence.

### B.2.2 Classification of space models

*Note: The list of the CIAM classes is downloadable from “Documents” section of the CIAM website <http://www.fai.org/ciam-documents>. Official classes which have the championship status are mentioned in C.15.2.*

Space models classes (official classes) are:

- S1 - Altitude
- S2 - Payload
- S3 - Parachute duration
- S4 - Boost-glider duration
- S5 - Scale altitude
- S6 - Streamer duration
- S7 - Scale
- S8 - Rocket glider duration
- S9 - Gyrocopter duration
- S10 - Flex-wing duration

Each class, except class S7, is divided into subclasses defined as follows according to total impulse (in Newton-seconds):

- A - 0.00 to 2.50 Ns
- B - 2.51 to 5.00 Ns
- C - 5.01 to 10.00 Ns
- D - 10.01 to 20.00 Ns
- E - 20.01 to 40.00 Ns
- F - 40.01 to 80.00 Ns

A Subclass A/2 (0.00 to 1.25 Ns) is also defined mainly for teaching beginners and for their practice.

*Note: Following classes are also defined:*

- Class S2/P - Precision fragile payload.
- Class S6A/P (Provisional) - Streamer target time duration.
- Class S8E/P - RC Rocket glider time duration and precision landing.
- Class S11/P (Provisional) - Rocket powered aircraft and spaceships.
- Class S12/P (Provisional) - Time duration triathlon

### B.2.3 General characteristics of space models

- a) Unless specified otherwise in the rules for a particular class or in the records rules, space models shall meet the following general specifications:
  - Gross or maximum weight, including space model engine(s) ..... 1500 g
  - Maximum propellant materials contained in engine(s) ..... 200 g

Maximum total impulse of engine(s) .....	160 Newton-seconds (Ns)
Minimum thrust duration .....	0,050 seconds
Stages of operation .....	No more than three (3)

(see Space Volume for detailed definition)

- b) All propellant ingredients in a space model engine must be preloaded into the casing in such a manner that they cannot easily be removed. Delay grains and ejection charges may be pre-mixed and packaged separately if the auxiliary package is a single, preassembled unit containing all of the remaining combustible material.
- c) The space model engine casing shall be made of non-metallic material of low thermal conductivity. The temperature of the external surface of the casing shall not exceed 200 degrees Centigrade during or after operation. Minimum casing diameter shall not be less than 10 millimetres.
- d) A space model engine must be so designed and constructed that it will not rupture its casing in the event of internal overpressure. Any malfunction resulting in internal overpressure should dissipate its force along the longitudinal axis of the engine.
- e) A space model engine must be so designed and constructed as to be incapable of spontaneous ignition in air, in water, as a result of physical shocks, jarring, impacts or motion under conditions that would reasonably be expected to occur during shipment, storage or use, or when subjected to a temperature of 80 degrees Centigrade or less.
- f) A space model engine shall not be altered in any manner to change its published and established performance characteristics or dimensions.

### **B.3 CLASS U - UNMANNED AERIAL VEHICLE**

#### **B.3.1 General definition**

An Unmanned Aerial Vehicle (UAV) is an aerodyne with means of propulsion that does not carry a human and which is designed for scientific research, commercial, governmental or military purpose.

*Note: regarding its aims and objectives, CIAM is only concerned for Class U with records activities (no competition activities for this class).*

#### **B.3.2 UAV methods of control**

A UAV can be remotely controlled by a person or persons, or autonomously controlled by a hardware system and/or software system onboard the UAV, or both.

### **B.4 DEFINITIONS OF EXPRESSIONS**

#### **B.4.1 Aeroplane**

An aeroplane is a fixed wing aerodyne model aircraft with means of propulsion.

#### **B.4.2 Airship**

An airship is an aerostat model aircraft, supported statically in the air, with means of propulsion and steering by any onboard power source.

#### **B.4.3 Autonomous control**

The flight is considered as autonomously controlled when control of attitude, altitude, airspeed, flight path and navigation is only done by means of a vehicle management system which is on-board or off-board.

#### **B.4.4 Compression ignition motor**

A compression ignition motor is one in which the charge is ignited solely by the effect of compression. This may include a mechanical system specially provided to control compression when the engine is operating.

#### **B.4.5 Extensible motor**

Motor in which the energy is obtained by the torsion or extension of strands of elastic material.

#### **B.4.6 First Person View**

First-person view (FPV) is a method used to pilot the model aircraft from a first-person perspective via an onboard camera, fed wirelessly to video FPV goggles or to a video monitor on the ground.

An observer who is able to assume direct control of the aircraft must maintain VLOS with the aircraft, unless specified otherwise in the rules for a particular class.

*Note: FPV is also known as remote-person view (RPV), or simply video piloting.*

#### **B.4.7 Fixed wing model aircraft**

A fixed wing model aircraft is a model aircraft with mean(s) of propulsion which derives its major lift from fixed wing(s) surface(s).

#### **B.4.8 Glider**

A glider is a fixed wing aerodyne model aircraft with no means of propulsion.

#### **B.4.9 Glow plug motor**

A glow plug motor uses a continuously incandescent element to provide ignition.

#### **B.4.10 Hand launching**

The launch of the model aircraft is done by hand, the competitor or helper standing on the ground.

#### **B.4.11 Helicopter**

A helicopter is a rotary wing aerodyne model aircraft with a power driven rotor system with a maximum of two rotors. The axes of the rotors must be fixed and the axis of the main rotor substantially perpendicular to the longitudinal axis of the rotorcraft.

#### **B.4.12 Hot-air balloon**

A hot-air balloon is an aerostat model aircraft, supported statically in the air, with no means of propulsion by any power source, which obtains its lift only as a result of heated air.

#### **B.4.13 Jet reaction motor**

- a) Motor in which the energy is obtained by a combustion of a solid, liquid or gaseous fuel, or by the expansion of a fluid acting on a rotating or pulsating member. In the case of model aircraft driven by reaction motors, the following supplementary characteristics are imposed:
- b) Maximum outside diameter of pulse-jet combustion chamber: 80 mm.

#### **B.4.14 Landing**

The model is considered to have landed when it has first touched ground or water, or definitely terminated its forward movement.

#### **B.4.15 Loading**

When loading rules are applied the loading shall be defined as the weight in grams per square decimetre of surface area.

#### **B.4.16 Motor glider**

A motor glider is a fixed wing aerodyne model aircraft equipped with means of propulsion, capable of sustained soaring flight without thrust from the means of propulsion.

#### **B.4.17 Multi-rotor**

A multi-rotor (or multi-copter) is a rotary wing aerodyne model aircraft with a power driven rotor system with more than two rotors. The axes of the rotors must be fixed and substantially perpendicular to the longitudinal axis of the rotorcraft.

#### **B.4.18 Pilot**

The pilot is the person who flies the model and takes flight decisions based on the received information.

#### **B.4.19 Piston motor**

Motor in which the energy is obtained by the combustion or expansion of a fluid or gas acting on one or more reciprocating or rotary pistons.

#### **B.4.20 Remote control**

The flight is considered as remotely controlled when control of attitude, altitude, airspeed, flight path and navigation is done by the pilot acting by means of a communications link from a remote control station.

*Note: This does not preclude the use of an autopilot for portions of the flight as long as the remote control station is not left unattended.*

#### **B.4.21 Rotary wing model aircraft**

A rotary wing model aircraft is a model aircraft with mean(s) of propulsion which derives the whole or a substantial part of its lift from a rotary wing system.

**B.4.22 Surface area**

The surface area includes the total surface of the wings and that of the horizontal or oblique stabilising surface or surfaces. The surfaces taken for calculation are the orthogonal projection on to a horizontal plane of the surfaces in question with each surface at zero incidences.

When wings or stabilising surfaces are built into the fuselage of the model aircraft the surface taken into account shall include that area contained within the normal contours of the flight surfaces extended so as to meet at the plane of symmetry of the model.

**B.4.23 Seaplane**

A seaplane is a model aircraft which must take off from water, but without obligation to land on the water at the termination of the flight. Prior to the take-off, a flotation test of one minute must be imposed on each model during which it must float on the surface without external aid in normal take-off position.

**B.4.24 Swept volume**

a) Reciprocating engine

Swept volume is calculated as:

Swept piston area x stroke = swept volume

Swept piston area is calculated by measuring the bore of the liner at the top dead centre.

The calculation of volume shall be truncated to two decimal places (0,01 cm<sup>3</sup>)

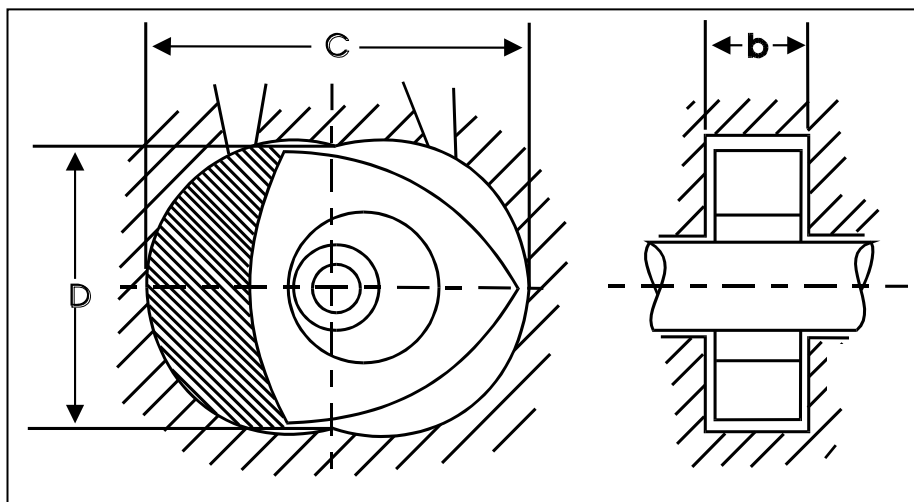
b) Rotary engine

Swept volume is calculated as:

$0,325(C - D2).b$

For the meaning of the letters see the figure below.

**DISPLACEMENT CALCULATION OF A ROTARY PISTON ENGINE**



**B.4.25 Take-off**

The model must rise from the ground or water in the correct manner and (except for Control Line, model aircraft) without any help from the flier or mechanic.

**B.4.26 Weight**

The weight taken to determine the wing loading and minimum or maximum weight, is that of the complete model aircraft in flying order but without fuel. The weight shall be measured in kilograms and/or grams.

**B.4.27 Wingspan**

Wingspan is the maximum distance between two points terminating the wing.

## **PAGE DELIBERATELY LEFT BLANK**

*So that the following section begins on a front sided-page if printed back-to-back*



## SECTION C - CIAM GENERAL RULES FOR INTERNATIONAL EVENTS

### C.1 GENERAL DEFINITION OF INTERNATIONAL EVENTS

Any model aircraft and space models event in which entry is open to more than one NAC or to individual participants, all of whom hold a valid FAI Sporting Licence, which collectively are issued by more than one NAC. Organised by the NAC or with its permission or participation under the rules of the FAI Sporting Code Section 4, these contests must be entered in the FAI Sporting Calendar (see C.3).

### C.2 TYPES OF INTERNATIONAL EVENTS

The General Section of the FAI Sporting Code states that events on the FAI sporting calendar are one of two categories:

a) First category for World and Continental Championships.

*Note: World Air Games are also considered by FAI as a first category event.*

b) Second category for all other types of international events.

#### C.2.1 First category events

##### C.2.1.1 World Championships

a) These are international events in which the competitors must be nominated by their NACs and there must be persons or teams from at least eight different countries. These events are for individual and national team classification.

b) The World Championships shall be planned and scheduled by the CIAM.

c) Each World Championships is normally held every other year.

d) The number of classes in one World Championship is limited to five (5) for seniors and five (5) for juniors except for the case of space modelling, where the number of classes shall be limited to eight (8) for seniors and eight (8) for juniors.

##### C.2.1.2 Continental Championships

a) These are international events in which the competitors must be nominated by their NACs and must be persons or teams from at least four different nations from one Continental Region defined in the General Section of the FAI Sporting Code. For the European region, the required participation must be from at least six different countries. These events are for individual and possibly team classification and will be organised only in the years when there is no World Championship in the particular class.

b) The Continental Championships shall be planned and scheduled by the CIAM.

c) The number of classes in one Continental Championship is limited to five (5) for seniors and five (5) for juniors except for the case of space modelling, where the number of classes shall be limited to eight (8) for seniors and eight (8) for juniors.

##### C.2.1.3 World Air Games

This is an international sporting event involving several FAI air sports at the same time in which the competitors are selected by the respective Air Sport Commission on the basis of international ranking lists and/or previous championship results.

#### C.2.2 Second category events

##### C.2.2.1 Open International

An Open International is a contest in which all competitors who possess a valid FAI Sporting Licence may enter. These contests are for individual classification only.

##### C.2.2.2 International Series

An International Series is a sequence of international events for specific goal or classification such as Eurotour contests.

##### C.2.2.3 World Cup

This is a classification of the results of specific Open Internationals during a year. A World Cup may be organised by the relevant CIAM Subcommittee for any of its classes.

*cont/...*

There must be at least five valid contests held in any class of World Cup for FAI medals and diplomas to be awarded. Classification for any particular category is contained in the World Cup regulations in the appropriate Volume of the FAI Sporting Code.

*Note: The list of the CIAM classes with mention of the World cup classes is downloadable from "Documents" section of the CIAM website <http://www.fai.org/ciam-documents>.*

FAI medals and diplomas will be awarded to the 1<sup>st</sup>, 2<sup>nd</sup> and 3<sup>rd</sup> placed competitors.

If a CIAM Subcommittee chooses to run a World Cup, it must:

- a) define rules and points allocation; these must be published in the FAI Sporting Code;
- b) nominate in advance the Open Internationals which are to be included from the FAI Sporting Calendar;
- c) check the draft FAI Sporting Calendar for errors or omissions and report to the December Bureau Meeting;
- d) send a reminder communication to Open International World Cup organisers at the beginning of each year. This communication is to:
  - request confirmation of the contest details in the FAI Sporting Calendar;
  - remind of the requirement to observe the FAI Sporting Code (C.13.1);
  - remind of the requirement to check FAI licences of entrants;
  - remind of the requirements for submission of results (C.13.6);
  - give a valid email address to which the results should be sent;
- e) collect results from each contest and allocate points to competitors (refer also to paragraphs C.13.6);
- f) produce and distribute current positions in the World Cup during the year;
- g) advise Bureau of any problems with any World Cup contests;
- h) in each category, award a medal and diploma from the FAI to the winner and a diploma from the FAI to the second and third places;
- i) the Subcommittee may appoint a World Cup Coordinator to administer the World Cup. If it does so, then items c) to h) above are the direct responsibility of the World Cup Coordinator. The Subcommittee Chairman shall advise Bureau of the name of the World Cup Coordinator.

### **C.2.3 International ranking**

- a) This is a continuous classification based on the results of all Open Internationals, as well as World and Continental Championships, World Cup contests and World Air Games selection events. An international ranking may be organised by the relevant CIAM Subcommittee for any of the classes recognised as World Championship or World Air Games class.
- b) If a CIAM Subcommittee chooses to run an international ranking, it must:
  - i) Define rules and ranking algorithm, these must be published in the FAI Sporting Code.
  - ii) Collect results from each contest and apply the ranking algorithm on them.
  - iii) Produce and distribute up-dated ranking lists during the year.

### **C.3 FAI SPORTING CALENDAR**

- a) Except where stated below, registration for sporting event must be sent to the FAI office using the appropriate registration form no later than 15<sup>th</sup> November in the year prior to the event. The information submitted must include the name, address, telephone, fax number etc. of a contact person.

*Note: The registration form is downloadable from "Documents" section of the CIAM website <http://www.fai.org/ciam-documents>.*

- b) All applications for sporting events must be accompanied by a sanction fee to CIAM. The amount of this sanction fee is determined annually by CIAM as defined in C.4. Payment may be made by credit card or bank transfer but in any case, the remitter pays all card or bank charges.

Sanction fee for World and Continental Championships and World Cup contests must be received by the FAI by 15<sup>th</sup> November of the year preceding the championship or World Cup contest. If the fee is not received by 15<sup>th</sup> November, the event may be deleted from the calendar.
- c) Open International for which registration has been received by the FAI Office after 15<sup>th</sup> November of the year immediately preceding the year of the contest may be considered for the FAI Sporting Calendar but will not be eligible for inclusion in a World Cup for that or the following year.

However, such an Open International must be submitted at least three months in advance of the contest date with the appropriate fee payment to the FAI Office, and on the appropriate registration form with copy to the President and Secretary who will inform the relevant Subcommittee Chairman. Inclusion in the FAI Sporting Calendar of any Open International submitted after 15<sup>th</sup> November will be granted only with the written approval of the relevant Subcommittee Chairman.

- d) Eurotour contests for which registration has been received by the FAI Office after 15<sup>th</sup> November of the year immediately preceding the year of the contest may be added to the FAI Sporting Calendar but only with the written approval of the relevant Subcommittee Chairman.
- e) The Bureau has the right at any time to remove any event from the FAI Sporting Calendar if, in the opinion of the Bureau, the organisation would not appear to be up to the expected standard. The President will ensure that all NACs are informed.
- f) Registered sporting events taking place in a year will only be recognised if the organising NAC has fulfilled all its obligations to FAI.

#### **C.4 SANCTION FEES**

- a) A sanction fee is required for listing any type of event in the FAI Sporting Calendar.
- b) The sanctions fees are as follows:
  - First category events:
    - World Championship = 500 Euro
    - Continental Championship = 300 Euro
  - Second category events:
    - Open International (World Cup or Non World Cup) = 70 Euro
    - International Series contest = 70 Euro
- c) The sanction fees shall be reviewed each year by the Bureau and any proposed fee changes must be approved by the Plenary Meeting.
- d) The sanction fee of cancelled events (no matter at what date the cancellation occurred) is not refundable, nor can it be used for sanctioning future events.

#### **C.5 COMPETITORS, TEAM MANAGER AND NATIONAL TEAM**

##### **C.5.1 Competitor**

A competitor is considered to be a junior up to and including the calendar year in which he attains the age of 18. All other competitors are classed as seniors.

##### **C.5.1.1 Age of participants for Junior World or Continental Championships**

For a World or Continental Championship organised specifically for juniors, all competitors and all helpers, team members, mechanics and assistants must all be juniors.

The team managers and/or their duly registered assistants and organising officials are the only seniors allowed in the starting area.

For RC Soaring the helpers, mechanics and assistants may be seniors.

##### **C.5.1.2 Builder of the model**

It is not necessary for the competitor to build his model unless the requirement to do so is specifically stated in the rules for a particular class.

##### **C.5.1.3 Competitor's proxy and substitution of team members**

Proxy flights are not permitted in any class or category of either model aircraft or space models.

Substitution of team members is permitted only up to the time of registration or prior to model processing, whichever comes first.

##### **C.5.1.4 Anti-Doping Policy for Competitors**

FAI adheres to the World Anti-Doping (WADA) Rules. All related FAI Rules and Procedures for Anti-Doping, including Therapeutic Use Exemption, can be found on the dedicated section of the FAI web site [www.fai.org/anti-doping](http://www.fai.org/anti-doping)

##### **C.5.2 Team manager**

- a) The team manager may assist the competitors. He is the only person allowed to deal with the Jury or the Organiser in the case of disputes, complaints or protests and must be obligatory for World

and Continental Championships. Any member of the officially entered national team may be nominated as team manager.

- b) For Free Flight, Control Line, RC Soaring, Scale and Space Model contests, the team manager may have an assistant, registered with the organiser, who will have the same duties as the team manager except that the assistant will not be allowed to deal with the Jury or the Organiser except to deliver protests.

### **C.5.3 National team for World and Continental Championships**

- a) A national team shall consist of a maximum of three individual competitors, or three pairs of competitors, for each category and a team manager.
- b) For those categories that do not have separate junior championships, the team may consist of a maximum of four individual competitors or four pairs of competitors for each category provided that the fourth competitor is a junior, plus a team manager.
- c) The reigning World or Continental Champion has the right (subject to the approval of his National Airsports Control) to participate in the next World or Continental Championships in that category regardless of whether he qualifies for the national team or not. If he is not a member of the national team, his score will not be considered in the team results.
- d) The reigning Junior World or Junior Continental Champion has the right (subject to the approval of his National Airsports Control) to participate in the next World or Continental Championships in that category regardless of whether he qualifies for the national team or not, and provided that he will still be a junior pilot when the next World or Continental Championships are held. If he is not a member of the national team, his score will not be considered in the team results.
- e) Any Junior World or Continental Champion who will be too old to defend his title at the next Junior World or Continental Championships is entitled to fly in the appropriate Senior World or Continental Championship for the concerned class, within the three calendar years following his becoming Junior World or Continental Champion.

## **C.6 FAI SPORTING LICENCE**

Every competitor, team manager and assistant team manager entering a FAI event must possess a valid Sporting Licence of the FAI.

When specifically stated in the rules for a particular class, other participants such as helper, mechanic, caller must also possess a valid FAI Sporting Licence. They are exempt from the FAI regulations regarding "Change of Representation - First Category Events" (FAI Sporting Code General Section 3.1.3.6.4).

All FAI Sporting Licence rules and procedures are maintained by CASI and can be found at the FAI Sporting Code General Section Chapter 3 [www.fai.org/casi-documents](http://www.fai.org/casi-documents)

## **C.7 CONTEST OFFICIALS**

### **C.7.1 FAI Jury**

- a) All international contests included in the FAI Contest Calendar shall have an FAI Jury of three members at least two of whom shall be chosen for their competence in the category being flown in the event. It is the responsibility of the Jury to see that the event is conducted in accordance with the relevant provisions of the FAI Sporting Code Section 4, and it is empowered to make all decisions dictated by any circumstances which may arise and to rule on disputes. Before the start of the contest, the FAI Jury must make sure that the organiser has satisfied the requirements of C.16.
- b) The FAI Jury must have at least one language in common.
- c) The FAI Jury shall remain independent of the organiser(s) to enable it to enforce the rules of the FAI and act as an independent arbiter in disputes between the organiser(s) and the competitors.
- d) The Jury President at each international contest must submit a report to the FAI within one month of the contest. This report must include descriptions of any deviation from the FAI Sporting Code and any exceptional circumstances that arose. In the situation where a new world record is set during a World or Continental Championship, it is the responsibility of the FAI Jury for that event to notify the FAI Headquarters within seven (7) days of the record accomplishment and remind the competitor and organisers of the need to assemble proper documentation within the prescribed time limit for homologation.

*cont/...*

*Note: FAI Sporting Code General Section 5.4.2.7 states that:*

- *the FAI Jury will cease its functions after it has given its decision on all protests which have been correctly made.; if no protests are outstanding, it shall not cease its function until the time limit set for the receipt of protests following the last task;*
- *the last action of the FAI Jury is to verify and approve the results of the contest and declare the event valid.*

### **C.7.2 FAI Jury at World and Continental Championships & WAG**

- a) The FAI Jury, including two suitable reserves, shall be selected by the organiser. The subcommittee chairman shall review the proposed jury members to check that they qualify to be on an FAI Jury. He may propose replacements with an appropriate justification. The jury composition shall be proposed in Bulletin 0 and must be approved by the Bureau.
- b) The Jury must include at least one member of the Bureau (which includes Subcommittee Chairmen) or one who, over the last 5 years, has served on the Bureau.
- c) The second member must be another Bureau member, a CIAM Delegate, someone who in the past 5 years has served on an FAI championship or WAG Jury, or someone who in the past 5 years has served two consecutive years on a Subcommittee in the same category as the championship or WAG.
- d) The remaining member may be selected from any country provided that approval has been obtained from that person's NAC.
- e) The members of the Jury shall be of different nationalities and each member must be resident in a country whose NAC is not currently suspended from FAI membership.
- f) People named on the approved Jury reserve list, Bureau members, Subcommittee Chairmen, any CIAM Delegate and relevant Subcommittee members are, in an emergency, automatically approved in that order for appointment as Jury members.

### **C.7.3 FAI Jury at Open International**

- a) The Jury must include at least one person approved by his own NAC. The other two members may be assigned by the NAC of the organising country.
- b) Members of the Jury must be from at least two different nations.
- c) The Jury must be announced before the start of the event. When the contest has a subdivision into categories, one or two members of the Jury may compete in a category and must then be replaced by alternate Jury members (not competing in that category) for all matters involving that category. The alternate members must be chosen so that at all times the Jury meets nationality and language rules.
- d) For a contest which involves a single class, one or two jury members may be nominated from the competitors. An alternate jury member must also be nominated for each competitor jury member, to serve on the jury when considering any protest involving that competitor jury member. The members must be chosen so that at all times the Jury meets the nationality and language rules.

### **C.7.4 World Cup Board**

A Board of three persons shall be nominated by the relevant CIAM Subcommittee Chairman to rule on any issue concerning the implementation of World Cup rules during a year. Any such issue must be submitted in writing to the relevant Subcommittee Chairman and the Board. The World Cup Board is not entitled to deal with any kind of complaint or protest concerning a single competition, which must be considered by the FAI Jury for that competition.

### **C.7.5 Contest officials**

- a) To meet the CIAM requirements on nationality, the nationality of a Judge or Jury member is deemed to be that of the NAC which is permitted to issue an FAI Sporting Licence to that person.
- b) The organisers may appoint timekeepers and contest officials from other countries provided that the officials are approved by their own NAC.
- c) The Championship judges and reserve judges shall be selected by the organiser and the names supplied to the relevant subcommittee chairman for checking to ensure that the chosen judges are qualified in all respects to judge at the Championship. The subcommittee chairman may propose replacements for judges with an appropriate justification. The list of judges shall be proposed in Bulletin 0 and must be approved by the Bureau. International judges must have had recent practical judging and/or flying experience of the category for which they are selected, and they must be on the approved judges list at the time of approval.

- d) The organiser of an event must bear the expenses of Bureau designated jurors and judges for accommodation and meals in the course of the event, and all transportation costs to and from the contest site (air fare economy class). This does not apply to any Jury members who compete in the contest under the terms of C.7.3 c) or d).
- e) With the exception of FAI Jury members under C.7.3 c) and d), organisers must reimburse Jury members and Judges' expenses, where necessary, in the currency of the individual's choice. In doing so, the organiser is not permitted to charge an exchange rate fee nor reduce the reimbursement in order to recoup any currency exchange charges that the organiser may have incurred.

## C.8 FAI JURY PACK

a) The Jury Pack is a set of the FAI (CASI and CIAM) documents to be used as guidance for FAI Juries in CIAM events, where appropriate, for taking uniform action in organisation supervision, Jury administration, protest processing, preparation of reports and all other activities within the Jury's control and responsibility for these events.

b) It must be assembled by the Jury President after his appointment.

c) The Jury Pack must contain:

1. FAI Sporting Code, Section 4, Volume for the appropriate category or class:

F1 - Free Flight	F2 - Control Line
F3 - Radio Control Aerobatics	F3 - Radio Control Soaring
F3 - Radio Control Helicopters	F3 - Radio Control Pylon Racing
F4 - Scale Model Aircraft	F5 - Electric Model Aircraft
F7 - Aerostats	S - Space Models

2. FAI Sporting Code, Section 4, Volume "CIAM General Rules" (Section C - CIAM general rules for international events)

3. FAI Sporting Code General Section

Chapters of importance for aeromodelling 1<sup>st</sup> category events:

- Chapter 4 - Sporting events,
- Chapter 5 - Control of sporting events,
- Chapter 6 - Complaints, penalties, protests and appeals
- Chapter 7 - International records
- Chapter 8 - Measurements, calculations and margins

4. FAI CASI - International Jury Members Handbook:

- Appendix A - Jury Final Report Form
- Appendix B - Report of the Jury President
- Appendix D - Report by the Jury President to the Air Sport Commission (Including a narrative report on a separate sheet/s)

5. FAI Category 1 Events - CIAM Jury President's check list

*Note: The form is downloadable from "Documents" section of the CIAM website <http://www.fai.org/ciam-documents>.*

6. Contest Protest Form

*Note: The use of this form is not mandatory but recommended. The form is downloadable from "Documents" section of the CIAM website <http://www.fai.org/ciam-documents>.*

7. Report Form for CIAM championship trophies

*Note: The form is downloadable from "Documents" section of the CIAM website <http://www.fai.org/ciam-documents>.*

8. Bulletins produced by the organiser for the particular event.

9. Local Rules, if any, approved by Bureau for particular championships.

*Note: CIAM Rules should be used first, but in the case of ambiguities, the Jury should consult CASI documents.*

*Note: All documents listed in c) 1. to 4. must be downloaded from the FAI website: [www.fai.org/documents](http://www.fai.org/documents) or [www.fai.org/ciam-documents](http://www.fai.org/ciam-documents) updated on 1<sup>st</sup> January of the current year.*

**C.9 JUDGES LISTS**

- a) Nominations for persons to be put on the list of international judges must be received by the FAI Office no later than 15<sup>th</sup> November. The nominations are valid for two years starting the following January and can be updated annually. If no list is returned by the deadline in any year, then the old one stands for one more year. Judges shall be chosen from the list. Any judges appointed for a championship must be on the list when selected. The nominations may be submitted on paper, by email or by using the on-line submission procedure available on the FAI web site.
- b) For subjective judging, a proportion of the judges chosen to judge at a championship must not have judged at the previous equivalent championship. This proportion to be as defined in the class rules.
- c) To comply with the principle of NACs and Airsports Persons, NACs are only permitted to submit names of persons of their own NAC.

*Note: International judges are currently listed for the following classes:*

F2A	F2B	F2C	F2D	
F3A	F3C	F3M	F3N	F3P
F4	F5A	S		

**C.10 NUMBER OF MODELS ELIGIBLE FOR ENTRY**

**C.10.1 Class F - Model aircraft**

Scale classes.....	One (1) only
F3A, F3C, F5B, F3M .....	Two (2) only
F2A, F2B, F2C, F3D, F2C, F3B, F3J, F5D, F3F, F3P, F5J .....	Three (3) only
F1A, F1B, F1C, F1P .....	Four (4) only
F1E, F3K .....	Five (5) only
F1D, F2D, F3N .....	Unlimited (two per heat in F2D)

**C.10.2 Class S - Space models**

S1A, B, C, D, E, F .....	Two (2) only
S2C, E, F .....	Two (2) only
S3A, B, C, D .....	Two (2) only
S4A, B, C, D, E, F .....	Two (2) only
S5A, B, C, D, E, F .....	One (1) only
S6A, B, C, D .....	Two (2) only
S7 .....	One (1) only
S8A, B, C, D, E (E/P), F .....	Two (2) only
S9A, B, C, D .....	Two (2) only
S10A, B, C, D .....	Two (2) only

For classes S1, S2, S3, S4, S6, S8, S9 and S10 one (1) additional model may be processed and flown by the competitor on there being a tie for first place at the end of the third round.

**C.10.3 General requirements**

A model may only be used by one competitor during a contest.

The competitor may provide himself with spare propellers and rubber motors, piston motors, electric motors or gas turbines.

A competitor may interchange various parts as he wishes, provided the resulting model conforms to the rules of the contest and that the parts have been checked before the start of the contest.

Repairs are permitted provided that the model still conforms to the requirements of the rules and regulations.

**C.11 IDENTIFICATION MARKS**

**C.11.1 Class F - Model Aircraft**

- a) Model aircraft, except for Indoor Free Flight and Scale, shall carry:

*cont/...*



- i) The national identification mark followed by the National FAI licence number or the FAI Unique ID number. The letters and numbers must be at least 25 mm high and appear at least once on each model (on the upper surface of a wing for Free Flight models).

*Note: The list of the national identification marks (3 letters per country) is downloadable from "Documents" section of the CIAM website <http://www.fai.org/ciam-documents>.*

- ii) A model identification code (letters and/or numbers). This code has to be different for each nominated model aircraft of the competitor. The model identification code is to appear on each main part of the model (wing(s), tail, front and rear fuselage if detachable) so that the individual parts of a competitor's different models may be separately identified. The letters and/or numbers must be at least 10 mm high and clearly visible. The identification code of the nominated models shall be recorded on the score card. For World or Continental Championships this must be recorded on the Model Aircraft Specification Certificate.
- b) A model aircraft must not carry a national identification mark, an FAI licence number, an FAI sticker, or any other reference which relates to any person other than the competitor. At the processing of the model aircraft, the organiser must mark each FAI sticker (if required).
- c) At the processing of the model aircraft for classes F2A, F2C, F2D and F3D, all piston motors which might be used during the contest shall be marked with an easily visible identification mark. For World or Continental Championships these details must be recorded on the Model Aircraft Specification Certificate at the time of checking the model. Motors which have been checked and recorded in this way may not be exchanged with other competitors.

#### **C.11.2 Class S - Space models**

- a) A space model shall carry, prominently displayed upon its body, fins, or other exterior part, the competitor's National FAI license number or the FAI Unique ID number.
- b) The letters and numbers must be approximately one (1) centimetre high except in classes S5 and S7 where it is 7 mm for the 1<sup>st</sup> stage and 4 mm for upper stages.
- c) The name, national insignia, or national identification mark of the competitor's nation must be displayed on the exterior of the model.
- d) A light coloured area of minimum dimensions 1 cm by 3 cm must be provided for the organiser's processing mark except in classes S5 and S7 where the mark shall be put on interior of the model.

#### **C.12 MODEL PROCESSING**

- a) For World or Continental Championships, each NAC shall process every model and shall issue for each model aircraft a Model Aircraft Specification Certificate, provided by the FAI (see note below). A sticker, also provided by the FAI or marking to the pattern of this sticker, shall appear on each model aircraft (except for Indoor Free Flight and Scale model aircraft).

*cont/...*

*Note:*

*- The Model Aircraft Specification Certificate is only available as a download from "Documents" section of the CIAM website <http://www.fai.org/ciam-documents>.*

*- FAI stickers are still available from the FAI Office or the design is downloadable from "Documents" section of the CIAM website <http://www.fai.org/ciam-documents>.*

- b) Model aircraft not properly processed by their NAC, with FAI certificates and stickers, must be processed by the organiser at a cost of 8 Euro for each model.
- c) When, after official checking (for free flight, after registration of model specifications) a model is lost or damaged, the competitor shall have the right to present a further model and corresponding model specification certificate for checking up to one hour before the official starting time of the contest in that class. In any event, the competitor may have only the eligible number of models entered (see C.10) at the start of the contest.
- d) The organiser must appoint at least two processing officials, who will process at random the important model characteristics of at least 20% of competing models during the official contest time.
- e) Results are subject to the re-checking of the characteristics of the first, second and third place winning models.



## **C.13 REQUIREMENTS FOR ORGANISATION OF INTERNATIONAL EVENTS**

### **C.13.1 Organisation**

- a) Each event of the FAI Sporting Calendar must be organised in accordance with the General Section of the FAI Sporting Code and the present Volume.
- b) NACs organising such contests should ensure that those responsible for planning the event are familiar with the CIAM document "General Organisation of a World Championship", the relevant safety guides and other organisers' and judges' guides and that the guidance contained therein is followed.

*Note: The CIAM document "General organisation of a World Championship" is downloadable from "Documents" section of the CIAM website <http://www.fai.org/ciam-documents>.*

- c) The organiser must make available on request, a printed or an electronic copy of the English version of the rules.

### **C.13.2 Local rules**

Local rules in exceptional circumstances:

- a) may be established at, or imposed by, the Plenary Meeting for championships in the same or the following year, or by the organisers;
- b) may not change the model specification or contest rules unless agreed at the Plenary Meeting;
- c) must be published in bulletins, preferably in advance of entry deadline, but no later than the latest bulletin made available to all competitors;
- d) decided after this point, must be issued to competitors in writing prior to the start of the event;
- e) may be established during the contest as necessary.

### **C.13.3 Number of entries**

For any Open International (World Cup or Non World Cup), the organiser must, if necessary, limit the number of entries so that the contest can be finished within the allotted time. The maximum number of entries must be stated in the event notification.

The entries shall be accepted by the Organiser in order of receipt until the limit is reached and the entry is closed. Late entrants must be notified that their entry has not been accepted.

### **C.13.4 Entry forms**

- a) Entry forms must include sections for:  
Name - First name - Date of Birth (juniors only) - Postal address - Nationality - FAI Unique ID number - Class(es) entered.
- c) The organiser must acknowledge receipt of the entry form and entry fee.
- d) For an Open International an entry form must be supplied to any competitor requesting one from the organiser's contact details published on the FAI Contest Calendar.
- e) For World and Continental Championships:
  - i) entry forms must be supplied by the organisers;
  - ii) in the case of an online entry form system, the organiser must email a copy of the completed entry form to each team's NAC within 24 hours of the submission otherwise payment of fees may be late.

### **C.13.5 Junior classification in an Open International**

If there are three or more junior entries in an Open International, there must be a separate junior classification included in the results.

### **C.13.6 Results of international events**

- a) Results are deemed to be official only when the FAI Jury has checked, validated and finally signed them. In accordance with FAI Sporting Code General Section 4.16.1, the official (final) results must be made public before the prize-giving.
- b) The official results must be published without delay on the flight site of the event.
- c) FAI Sporting Code General Section 4.16.2.1 states that the officially accepted entry list and results for first category events must be sent electronically to the FAI Office if possible before the prize-giving and in any case within 24 hours of the end of the event. For contests included in a World Cup, the results must be despatched to the relevant World Cup Coordinator within a month.

- d) The results must include each entrant's FAI Unique ID number, the full name and nationality (or "FAI" in the case of entrants who have entered with sporting licence issued direct by the FAI) and for scale events must also include the name of the prototype air-or spacecraft subject flown by the competitor.
- e) The nationality of competitors who have entered under FAI Sporting Code General Section 4.5.1 or 4.5.3.3 shall be shown as FAI (see also C.6 c).
- f) For World and Continental Championships, the individual or team results must include the appropriate trophy name for any class that has an FAI perpetual trophy.
- g) Results submitted to the FAI (or to the relevant World Cup Coordinator) must be in electronic form to allow for publication on the official FAI website.

### **C.13.7 Fuel**

- a) Fuel supplied by the organisers shall be mixed from top quality material. Methanol shall be at least commercial grade without additives. Castor oil, when used, shall be first pressing castor oil.
- b) Standard Fuel
  - i) When a standard FAI fuel is specified, the fuel that the organisers shall supply for practice and for the contest shall be of the same constituents, mixed in a single batch.
  - ii) Standard fuels which are used for contest flights shall be part of the entry fee. Practice fuel supplied by the organiser to the competitors shall be charged at cost.
  - iii) The standard FAI fuel for practice must be requested in advance (at the time of entry).
- c) Non-Standard Fuel

The organisers shall make available for cost, up to 20 litres of fuel per competitor for practice flying and for use in contests. The fuel, or constituents, must be requested in advance (at the time of entry) and the organiser shall supply at least the following:

- Methanol
- Castor oil
- Nitromethane
- Synthetic oil (compatible with methanol)
- Ether
- Kerosene Jet-A1
- Unleaded gasoline (89 to 98 octane rating)

## **C.14 CHAMPIONSHIP STATUS**

### **C.14.1 Eligibility for World and Continental Championship**

Before a class can be considered by the CIAM for a World and/or Continental Championship, there must be a minimum period of two years from the time the class becomes official. The rules must have been used in at least five international contests, or three World Cup contests, each with a minimum of six FAI member countries participating. At least two contests must be held in each of the two years with a total of at least 60 competitors in each year. All the contests must be registered on the FAI Sporting Calendar. Also, reports from the Jury President in each contest must be sent to the appropriate Subcommittee Chairman for the latter's recommendation to the CIAM.

From 1<sup>st</sup> January 2014 and for at least four years, there is a moratorium on any class being permitted to apply for championship status except for popular classes with more than 300 competitors at the World Cup competitions.

### **C.14.2 Maintaining championship status**

The status of any official class with championship status must be re-considered if, during a four-year period, it has either:

- a) Had no bids for a World or Continental Championship.
- or
- b) Participation in a World Championship was less than 14 countries for the same period of time.

The above mentioned limits are not applicable to any junior specific championship status class, or to a class that is permitted to hold separate junior championship.

Limits for championships with combined classes are the same as the limits described above, but as a sum of the participants over all the classes and not per individual class.

**C.15 ORGANISATION OF WORLD AND CONTINENTAL CHAMPIONSHIPS****C.15.1 CIAM championship naming policy**

All Elements of the main title are mandatory						
YEAR	FAI	CIAM CLASS CODE	DESIGNATION (where appropriate)	REGION	TYPE	CATEGORY
2017	FAI	F1ABC F1ABP F1D F1E F2 F3A F3B F3CN F3D F3F F3J F3K F3M F3P F4 F5 S	Junior	World European Asian- Oceanic	Championship Championships	for Free Flight Model Aircraft for Indoor Model Aircraft for Free Flight Slope Soaring Gliders for Control Line Model Aircraft for Aerobatic Model Aircraft for Indoor Aerobatic Model Aircraft for Model Gliders for Model Helicopters for Pylon Racing Model Aircraft for Scale Model Aircraft for Electric Model Aircraft for Space Models
<b>Optional sub-titles</b> (only for Bulletins)						
(Class Name/s & Description/s) (For Seniors and Juniors) (For Seniors and/or Juniors)						
<b>Mandatory sub-title</b> (only for Bulletins)						
From - To			Year	Venue		Country

The championship logo design is free to encourage creativity but it is mandatory that all the elements of the championship name are included; however they may be in any order or layout to suit the logo shape. Such a proprietary logo must be approved in writing by FAI before use.

For internal use and communication (ie the minutes), CIAM is permitted to use a short denomination with the "F" designation along with the accepted abbreviation for World or Continental Championships (WCh, CCh).

*Note:*

- i) The plural "Championships" is used only when the event covers multiple classes (combined championships).*
- ii) The dedicated F1ABP junior championships are the only championships to require the designation "Junior".*
- iii) The word "World" should be substituted with "European", "Asian", "Oceanic", etc. as appropriate.*
- iv) The word "FAI" may be substituted with the FAI logo in a position immediately adjacent to the championship title.*

**C.15.2 Current World Championships**

*Note: The classes with the championship status are identified on the list of the CIAM classes which is downloadable from "Documents" section of the CIAM website <http://www.fai.org/ciam-documents>.*

**C.15.2.1 Class F (Model Aircraft)****Odd years**

F1ABC (Senior)  
F1E (Senior & Junior)  
F3A (Senior + 4<sup>th</sup> junior member)  
F3B (Senior + 4<sup>th</sup> junior member)

**Even Years**

F1ABP (Junior)  
F1D (Senior & Junior)  
F2ABCD (Senior + 4<sup>th</sup> junior member)  
F3F (Senior + 4<sup>th</sup> junior member)

F3CN (Senior + 4<sup>th</sup> junior member)  
F3D (Senior + 4<sup>th</sup> junior member)  
F3K (Senior & Junior)  
F3M (Senior + 4<sup>th</sup> junior member)  
F3P (Senior + 4<sup>th</sup> junior member)  
F5J (Senior & Junior)

F3J (Senior & Junior)  
F4CH (Senior + 4<sup>th</sup> junior member)  
F5BD (Senior + 4<sup>th</sup> junior member)

*Note: Multiple class "F" designations refer to "combined championships".*

#### C.15.2.2 Class S (Space Models)

The Space Models World Championships are held in **even years**. The following classes (or subclasses) are recognised for the Space Models World Championships:

a) Senior

S1B          S3A          S4A          S5C          S6A          S7          S8E/P          S9A

*Note: Subclass S8E/P complies with sub-class S8E; the purpose of the contest in S8E/P is to achieve as exactly as possible the given time of 360 seconds and to precisely land the model in a specified landing circle of 10 metres radius.*

b) Junior

S1A          S3A          S4A          S5B          S6A          S7          S8D          S9A

#### C.15.3 Offers to host a World or Continental Championship

- a) It is the CIAM's responsibility to decide and award World and Continental Championships and to decide which NAC shall be delegated with the responsibility for the organisation of the championship.
  - b) The awarding of a championship will normally be made by vote of the Plenary Meeting two years in advance of the year of the proposed championship.
  - c) In order to be eligible for selection, all bids must comply with the following procedure:
    - i) All bids must be submitted on the bid application with Section 1 information completed.
    - ii) Before any bid may be presented at the Plenary Meeting, it must be appraised by the relevant Subcommittee Chairman or by a person duly appointed by him. After that appraisal, Section 2 of the bid application document must be completed. If the recommendation status is "NO", then the "Comments" box must contain a full explanation. Both sections of the bid application shall be presented to the Plenary Meeting for consideration by the Delegates.
- Note:*
- The bid application document is downloadable from "Documents" section of the CIAM website <http://www.fai.org/ciam-documents>.
  - See document "Minimum Standards for Contest Sites for World & Continental Championships" downloadable from "Documents" section of the CIAM website <http://www.fai.org/ciam-documents>
- d) Bids for consideration at a Plenary Meeting may be submitted to the FAI Office at any time in the year prior to the Plenary Meeting that is two years in advance of the championship year and not later than 45 days before the Plenary Meeting.
  - e) In exceptional circumstances, the decision for awarding World and Continental Championships may be taken more than two years in advance of the year of the proposed championship, providing a request is made by 15<sup>th</sup> November and published in the Agenda of the following Plenary Meeting.
  - f) In the event that no acceptable bid is available two years in advance, the decision may be postponed to the Plenary Meeting in the year before the championship. If no bid is accepted at that Meeting, the Plenary Meeting may exceptionally delegate the decision to the Bureau. The latest that a decision may be made is one year in advance of the proposed date of the championship. This is the latest time at which the decision can be made to proceed with a championship for the following year.
  - g) After the championship is awarded, any change to the information provided by the organiser in Section 1 of the bid document, must be presented no later than the Plenary Meeting in the year preceding the championship. At this time, the Organiser Agreement between FAI and the Organiser will be signed.

### C.15.4 Information Bulletins

#### C.15.4.1 Bulletin 0

Bulletin 0 is a draft Bulletin that must be submitted by the organising NAC to the FAI Office and the Secretary (for consideration by the Bureau at one of the two Bureau Meetings) not later than:

- 15<sup>th</sup> November of the year prior to the championship for championship(s) scheduled from May to December.
- 15<sup>th</sup> March of the year prior to the championship for championship(s) scheduled from January to April

The Bulletin 0 must be presented in accordance with the template defined by CIAM and with all sections completed.

Before submitting the Bulletin 0 to the FAI Office, the organiser must discuss it with the relevant Subcommittee Chairman in order to minimise discussion time at the Bureau Meeting.

In addition, a budget covering the total cost of the event must be presented on a separate sheet for the Subcommittee Chairman and the Bureau members to confirm that the entry fees and accommodation and meal charges have been set at a reasonable level in accordance with C.15.5.1 and C.15.5.2.

*Note: Bulletin 0 is a draft bulletin only for the benefit of Bureau and so that should not be issued, published or publicised outside the Bureau. This template is downloadable from "Documents" section of the CIAM website <http://www.fai.org/ciam-documents>.*

#### C.15.4.2 Bulletin 1

a) A first memorandum of information (Bulletin 1) and entry forms must be despatched to the NACs, also to Jury members and judges, after the Bureau Meeting at which Bulletin 0 was presented and approved and, in any case, no later than:

- i) the end of September for Bulletins approved at the April Bureau Meeting;
- ii) the end of the following January for Bulletins approved at the previous December Bureau Meeting.

b) The approval mechanism for Bulletin 1 is as follows:

- i) Any changes or amendments instructed by the Bureau should be incorporated by the Organiser into a revised bulletin. Either the original Bulletin 0 or the revised Bulletin 0 should be named "Bulletin 1" and emailed to the Secretary promptly after the Bureau Meeting at which it was approved and no later than the schedule in paragraph a).
- ii) The Secretary will check that the document contains the correct data. When he is satisfied that it is correct, he will then issue Bulletin 1 to the NAC email list and the CIAM Delegates email list with the organiser and Bureau in copy. He will forward a copy to the FAI Office for information.

### C.15.5 Entry and additional fees

#### C.15.5.1 Entry fees

- a) The entry fee is the obligatory fee to be paid by all competitors and team managers.
- b) The entry fee must be quoted in Euro but the equivalent fee may be paid in the local currency of the country hosting the event or in any other currency that the organiser specifies in Bulletin 1.
- c) The organiser may specify a closing date for the receipt of fees. Entries received after this date may be subject to a penalty fee or may be refused by the organiser. A closing date shall be no earlier than 90 days before the official starting date of the contest. A penalty fee shall not exceed 20% of the obligatory entry fee. If a penalty fee is to be imposed for late entries, this must be stated no later than in Bulletin 1. A discount bonus for early payments may also be considered by the organiser.

d) For World or Continental Championship the maximum entry fee shall be 300 € for up to seven nights except for the following classes:

F3A: 450 €	F3B: 400 €	F3C-F3N: 400 €	F3D: 420 €
F4: 400 €	F5B-F5D: 400 €		

e) For World or Continental Championship if more than the minimum number of judges required by the relevant rules is allowed, then an additional fee may be charged to each contestant. The additional fee shall be calculated as follows up to a maximum of 165 Euro:

Additional fee = (Travel cost of extra officials + ((Cost of food & accommodation for seven nights) / (7 \* Number of nights)) / Number of competitors

- f) If an obligatory fee is required for official helpers and supporters it must not exceed 20 % of the obligatory fee for competitors up to a maximum of 80 €.
- g) Accredited representatives of the media shall not be required to pay an entry fee.
- h) Items contributing to the calculation of the entry fee are (applicable depending on local circumstances):
  - i) Contest site - Rent and cost of preparation.
  - ii) Organisational costs of meetings/travel of organising committee; rent or purchase, if not already available, of contest equipment such as timing devices, lap counters, sighting apparatus, processing equipment, score board, walkie-talkies, frequency control, equipment, score sheets, flags, flag poles, etc. Cost of instruction and briefing session of contest officials and Jury, licences and permits (PTT, local authorities); stationery, postage (information bulletins, correspondence); rent of tents. The cost of any official opening ceremony.
- i) In the event that a person is serving in more than one position (team manager, competitor, helper, mechanic, etc.), he will be charged only one fee: that which represents the highest fee of the positions to be served. If at the same event, there is a senior and junior classification, any junior competitor may be a member of the senior team as well. In that case this competitor is required to pay only the entry fee for the junior's class.
- j) At multi class championships when a competitor competes in more than one class, a 50 % discount shall be offered on the second entry fee.

#### C.15.5.2 Optional fees

- a) Separate optional fees may be offered at choice for: lodging (hotel and camping) and food (excluding banquet) and other possible additional events). The banquet shall not exceed the amount of 50 Euros and may be included in the entry fee or it may be a separate optional fee.
- b) Using the international standard of stars the cost of two stars (\*\*) or equivalent accommodation and typical cost of food must be included in the Championship bid documentation.
- c) The cost of hotel accommodation must be kept reasonable. Keep in mind that hotel accommodation is often the only possibility for overseas participants. Using the international standard of stars, accommodation to two stars (\*\*) or equivalent is sufficient. To keep travel expenses of the team reasonable, organisers must not use the event to force teams to pay higher than the street price for accommodation. It is up to the teams whether they wish to book their own board and lodging.

#### C.15.5.3 Impact of sponsorship

It might be possible to obtain a sponsor for one or more of the above items. This will result in a lower basic fee, therefore sponsoring is highly recommended. However, sponsoring can only be taken into account if it is absolutely certain that it will be obtained, otherwise a loss can be expected. Sponsoring negotiations should start as early as is practical.

### C.15.6 Classification

#### C.15.6.1 Individual classification

- a) For any World or a Continental Championship:
  - FAI medals and diplomas will be awarded to the competitors in the first, second and third places in the class.
  - The Championship winner earns the title of World Champion or Continental Champion in the class.
- b) For any class where a junior may participate in a Continental or World Championship as a fourth team member under C.5.3 b), all juniors are considered for the following awards:
  - FAI medals and diplomas will be awarded to the first, second and third placed juniors. If only one or two juniors compete in the class, they shall be also awarded an FAI medal and diploma.
  - The best junior earns the title of Junior World or Continental Champion if juniors from at least four different nations participate in that class.
- c) If there is a Challenge Trophy, this is awarded to the NAC of the winning competitor for custody until the following Championship.

#### C.15.6.2 National team classification

- a) The national team classification for all CIAM classes for World or Continental Championships is established after the completion of the championship using one of the following two methods only:

- i) By adding together the numerical final placings of the three national team members using the full list of competitors unless there is a fourth member of the team (who must always be a junior) in which case it will be the three best placed members.

Teams are ranked from the lowest numerical places to the highest, with complete three-competitor teams, ahead of two competitor teams, which in turn are ranked ahead of one-competitor teams. In the case of a national team tie, the best individual placing decides.

or

- ii) By adding the scores of the three members of the team together unless there is a fourth member of the team (who must always be a junior) in which case it will be the three best scoring members.

In the case of a national team tie, the team with the lower sum of place numbers, given in order from the top, wins. If still equal, the best individual placing decides.

For F2C, in either method of national team classification, a “member” is a two-competitor team.

- b) For World and Continental Championships gold, silver and bronze team medals, produced by the FAI to a smaller size than the standard FAI medals, will be awarded to the first, second and third place team members and team managers, except for Space Modelling where only one medal shall be awarded per team per class per age division. The cost is to be borne by the organising NAC.
- c) When teams consist of four competitors or, in the case of F2C, four pairs of competitors (see C.5.3) then all the team members in first, second and third place will be awarded medals and shall be entitled to be on the podium.
- d) In each class a diploma will be awarded by the FAI to each team member including the team manager of the teams in first, second and third places.
- e) If there is a Challenge Trophy then this shall be awarded to the NAC of the winning team for custody until the following championship.

#### C.15.6.3 Overall classification in multiple contest categories

- a) In a World or Continental Championships with more than one category a classification may be made of the overall performance of the competing nations. This is established by taking the total scores of the three members of the teams or, in a four member team ie one containing a junior, the three best scoring members in all of the contest categories.
- b) The highest total wins the award. In the case of a tie, the nation with the lower sum of team place numbers, given in order from the top, wins. If still equal, the total of the best individual placing in each class will decide.
- c) If there is a Challenge Trophy, this will be awarded to the NAC of the winning team for custody until the following championship.
- d) There are no FAI medal or diploma awards assigned for this classification.

#### C.15.7 Awards ceremony procedure

- a) A person from the ceremony staff will escort the medal winners to the medal staging area.
- b) The awards podium, flags of the three medal winners and the National Anthem of the Gold Medal winner will be prepared in advance. In addition, the FAI flag must be flown and the FAI anthem played.
- c) The announcer will introduce the award ceremony and then announce the category/class (as appropriate) receiving the medals as they march out in order with an escort to a position behind the awards podium.
- d) The awards podium will be set up in the following configuration:  
Silver - Left-hand side (as viewed by the spectators) – Second highest podium (2)  
Gold - Centre – Highest podium (1)  
Bronze - Right-hand side – The same height or slightly lower than Silver (3)  
The marching order must be in a sequence to position the medal winners behind the correct podium.
- e) The announcer will mention who (with title) will award the medals and diplomas (usually the FAI President, Air Sport Commission President or his designee).
- f) The competitor or team will be called by name and country separately and in the order Bronze, Silver, Gold. The medal winner will step up on the podium when called by the announcer.



- g) First, the Bronze medal winning individual or team will step up to the podium and the medal and diploma will be awarded. Next, the Silver medal winning individual or team will be called to the podium and will receive the medal and diploma, followed by the Gold medal presentation using the same procedure. A moment will be allowed after the award of each medal for photographs.
- h) After all medals are awarded, the anthem of the Gold medal individual or team will be played as their country flag is raised (if no country anthem, play the FAI anthem). The flagpoles should be of different heights with the tallest in the centre for the 1st placed competitor and the two shorter ones to the left and right for the 2<sup>nd</sup> and 3<sup>rd</sup> placed competitors. All flags should be raised to the top of each pole.
- i) The individual or team winners will pose for group photographs for a minute before stepping off the award podium and being escorted away by the ceremony escort(s).
- j) First, second and third placed competitors (including 1<sup>st</sup>, 2<sup>nd</sup> and 3<sup>rd</sup> placed national teams) must attend the award ceremonies; all competitors are expected to attend the award ceremonies.
- k) Out of respect to the national authorities, FAI officials and organisers, all competitors, and especially the winners, are expected to attend the ceremony. According to FAI Protocol for Award-Giving and Closing Ceremonies, competitors should be properly dressed. It is recommended that the Contest Director mentions this during the briefing.

### **C.15.8 Annual analysis of World Championships medals**

An analysis of the number of World Championships medals (individual and team, senior and junior) per nation will be presented every year to the Plenary Meeting.

*Note: Annual presentations of World Championships medals per nation are downloadable from "Documents" section of the CIAM website <http://www.fai.org/ciam-documents>.*

## **C.16 REQUIREMENTS OF ORGANISERS OF INTERNATIONAL EVENTS**

### **C.16.1 General requirements**

The organiser must:

- a) Secure a sufficient number of qualified officials, timekeepers and FAI Jury members.
- b) Provide themselves with the necessary measuring apparatus adequate to check the characteristics of model aircraft or space models in question. A list of minimum measuring apparatus is given in the Organisers' Guide for each class.
- c) Give the competitors opportunity to determine the characteristics of their models on the official measuring equipment before the contest.
- d) Provide at least one practice day prior to the contest, to be announced in the invitation along with a flying schedule for the contest.

The organiser will provide a schedule for the official practice giving all competitors equal practice time. The practice day must not be extended so as to delay the start of official contest.

Depending on the type of the event or the class, a reserve day may be scheduled after the contest to allow for the completion of official flying in the event of weather or other delays preventing completion as scheduled.

- e) Provide the name and address of a contact person, who will be able to inform foreign teams.
- f) Display the results of each round throughout the contest and publish the official results afterwards. The display and publication shall not contain any additional statistics or items other than those required by the FAI Sporting Code. Abbreviations to indicate nationality must follow the list of the national identification marks.

*Note: The list of the national identification marks (3 letters per country) is downloadable from "Documents" section of the CIAM website <http://www.fai.org/ciam-documents>.*

- g) Provide appropriate facilities for a Doping Control Station if requested by the National Anti-Doping Organisation of the host country or by the FAI or WADA.
- h) Establish a suitable contest area allowing the full performance of the model aircraft and safe recovery.
- i) For World and Continental Championships and Open Internationals on the FAI Sporting Calendar, provide, at no cost to the competitor, third party liability insurance to the standard required for competitors participating in the contest including flying at off-site practice facilities.
- j) For timekeeping, unless specified otherwise in the rules for a particular class, quartz-controlled electronic stopwatches with digital readout or an electronic system of equal or greater accuracy.



## C.16.2 Requirements for radio control

### C.16.2.1 Flight area

The organiser must provide a smooth flight area for R/C models to facilitate take-offs and landings.

### C.16.2.2 Transmitter pound

If there are competitors using am/fm transmitters on the same frequency band then a transmitter pound is required only for those transmitters.

If an AM/FM transmitter pound is found to be necessary then:

- a) Each day, on the contest site before the start of the contest, all am/fm transmitters to be used in the contest that day must be impounded and kept under the supervision of a special official.
- b) All transmitters must be withdrawn at the end of the day's flying activities, and may not be left in the pound, unless by special arrangement with the organiser.
- c) The transmitter pound official(s) will issue the transmitter to the competitor only when he is called to make his flight (in accordance with the procedure laid down for the class concerned).
- d) As soon as the flight has ended, the competitor must immediately return his transmitter to the pound official.
- e) A fine of 50 Euros per pilot will be imposed for failure to withdraw a transmitter, for whatever reason, during the specified period.

### C.16.2.3 Spread spectrum transmitters

There is no requirement to impound spread spectrum transmitters.

A Spread Spectrum technology receiver that transmits information back to the pilot-operated transmitter, is not considered to be a "device for the transmission of information from the model aircraft to the competitor", provided that the only information that is transmitted is for the safe operation of the model aircraft.

### C.16.2.4 AM/FM transmitters

- a) It is not permitted to use any am/fm transmitters on the contest site during the hours of contest unless:
  - i) making an official flight or
  - ii) the specific permission of the contest officials has been given.
- b) Unless the contest director allows a change in advance, using a frequency differing from that assigned by the organiser in the starting list is considered as unauthorised transmission.
- c) Unless otherwise stated in the rules for a particular class the competitor is allowed only one frequency for the contest.

*Note: In the case of proven interference, another single frequency may be allotted by the contest director.*
- d) Any unauthorised transmissions during the period of the contest will result in automatic disqualification of the offender from the entire contest and render him liable to further penalties.
- e) The transmitter frequency must be displayed on the outside of the transmitter.
- f) Frequency synthesised transmitters must be designed to display the current frequency and to change to another frequency without RF transmission.

### C.16.2.5 Detection of radio interference

The organiser must provide a spectrum analyser or other adequate radio monitoring equipment for the purpose of detecting radio interference and a means of communicating this information to the pilot(s) and/or the flight line director / contest director.

### C.16.2.6 Starting order

Unless otherwise specified, the initial starting order of the various competitors must be established by means of a random draw before the contest, and, except for F3B, F3J and F3K, frequency will not follow frequency. Team members will not be included in the same race in a heat of F3D or F5D and members of one national team must not be in the heat immediately following. For F3B, F3J and F3K, competitors from the same team should not, where possible, be drawn to fly in the next group.

### C.16.2.7 Other requirements

- a) The organiser must survey the site of any contest event scheduled to be held in order to determine possible cases of radio interference which would affect any competitors. Any such possibilities must be reported as early as practical to participating NACs. Frequency bands or specific

frequencies which have been shown to be reasonably free from interference at the site of the contest will also be reported to the NACs.

- b) Organisers must make surveys of the contest site during both weekdays and weekends to determine if any patterns of radio interference exist and notify the NACs of any further problems—many commercial or industrial operations are weekday problems only. In any case, it is the organiser's responsibility to make certain that all competitors in a radio controlled event are notified in advance about any known radio interference problems that may exist at the flying site and at what frequency.

## **C.17 DURATION AND INTERRUPTION OF A CONTEST**

### **C.17.1 Duration**

Outdoor contests, including fly-off starts, must take place between the hours of sunrise and sunset, except classes F1A, F1B, F1C, also Space Models Duration. In these classes a minimum of two rounds must take place when wind and thermal activity are expected to be at a minimum. The contests may start earlier than sunrise if the distance covered by the models in relation to the size of the airfield suggests an interruption of the contest during the windiest part of the day. Such an interruption can be included in the contest programme or decided by the organisers with the approval of the Jury.

The contest programme including round durations, and starting and finishing times of the contest must be clearly indicated in the regulations.

### **C.17.2 Interruption**

a) The contest should be interrupted or the start delayed by the contest director in the following circumstances and in other exceptional circumstances decided by the contest director:

- i) Unless specified otherwise in the rules for a category or a particular class, the wind is continuously stronger than 12 m/s measured at two (2) metres above the ground at the starting line (flight line), for at least one minute
- ii) The visibility prohibits proper observation of the models (especially in case of F/F or R/C contest) or due to atmospheric conditions it would be dangerous to continue the contest.
- iii) It is necessary to reposition the starting line. This may only take place between rounds, or between tasks or groups in F3B and between rounds or groups in F3J.
- iv) The prevailing conditions are such that they may lead to unacceptable sporting results.
- v) For F3A, F3M, F5A, F3C, F3N, F4C, F4H, F3D and F5D, when the sun is in the manoeuvring area.
- vi) Any incident affecting safety or requiring access for emergency services.

b) In the event of an interruption during a round, the contest director must decide the action to be taken to complete, repeat, or cancel the round. The remainder of the round may be completed as soon as conditions allow, with adequate notice given to all competitors and team managers.

In the cases described, the organiser is not obliged to return the entry fee nor repeat the contest. The results will be based on the scores of the finished rounds.

An interrupted contest can be extended if the requirements of C.17.1 are met.

## **C.18 SAFETY**

The large majority of model flying today in most countries takes place as recreation rather than within a contest framework and sometimes on publicly accessible sites with little or no formal control. Any accident involving model aircraft may result in property damage, injury and possibly even death. Apart from the direct harm, a less obvious result is the poor image of model flying that comes from the media coverage of such incidents which leads to public antagonism and the loss of flying facilities.

While the following information is intended primarily for FAI contest flying, much of it can be applied both to national contests and recreational model flying.

### **C.18.1 Premise**

- a) It is of the utmost importance that all model fliers observe safety rules. Any accident caused by carelessness is a hindrance to the progress of model aviation.
- b) Safety rules are not an obstacle to the enjoyment of model flying, they help to prove that model fliers are the responsible citizens they proclaim to be.
- c) It is not a sign of intelligence to show one's own skill among spectators. The flier may know what he is doing but has no way of knowing what anyone else will do. So, it is to his personal benefit to

make certain that no action on his part will result in an accident. It is therefore very important not to fly any model aircraft in contest or in the presence of spectators until it has been proved airworthy.

### **C.18.2 Competence**

The following officials are competent to apply and enforce safety rules:

- the FAI Jury;
- the contest judges;
- the contest director/s;
- the circle marshals;
- the flight line director/s;
- the processing officials;
- all officials of the Organising Body.

### **C.18.3 Prohibited**

- a) Metal-bladed propellers and rotor blades;
- b) Repaired propellers and rotor blades;
- c) Improperly mounted engines;
- d) Knife-edge leading edges;
- e) Sharp spinners or propeller fasteners;
- f) Non shock-mounted radio equipment, where there is engine vibration;
- g) Any ballast or heavy parts subject to jettisoning;
- h) Any burning fuse that is not enclosed in a snuffer tube or similar device to retain and extinguish it;
- i) Propellers which fold forwards to have exposed propeller tips pointing forwards in the direction of flight.

### **C.18.4 Other requirements**

- a) The model should bear an identification of the owner.
- b) All spinners and other forward-facing metal or equally rigid projections should have a minimum radius of 5 mm. This does not apply to F2 model aircraft.

### **C.18.5 Pre-flight checks**

- a) Immediately before each flight, the flier must verify the actual condition and the proper functioning of all parts contributing to efficient and safe flight of the model and the proper fitting and fixation of the various parts, with special reference to engines and propellers.
- b) Models that have not been tested and proven airworthy must not be flown in the presence of spectators. Endeavour to conduct all flights in a manner that avoids danger to spectators and other fliers.

### **C.18.6 After launch of the model**

Immediately after the flier has launched his model, he must leave the starting area, remove his equipment, and in the case of gliders wind up his launching cable.

### **C.18.7 Flying sites**

- a) It is imperative that all flying sites be situated sufficiently far from power lines.
- b) The starting area must be carefully chosen in such a way that adequate safety to persons and property be granted. The points to be considered in this context are: wind strength and direction, relative position of buildings, runways, vehicle parking and spectator areas, and the area where the models are assumed to land after a normal flight, according to the wind.
- c) Flying sites in the vicinity of an airport or airfield, especially along the landing path, can be chosen as contest venues only with the permission of the airport operator and in full compliance with its safety rules and requirements.

## **C.19 PENALTIES**

CIAM Bureau or contest officials are entitled to apply penalties to participants (team managers, competitors, helpers, callers, mechanics, ...) or officials for any infringements of the FAI Sporting Code according to FAI Sporting Code General Section 6.2.

Unless specified otherwise, infringements are punishable regardless of whether they have been committed deliberately or negligently.

### **C.19.1 Penalties imposed by the contest director**

Penalties may be imposed by the contest director, with the consent of the FAI Jury, for:

- Technical Infringements (including, but not limited to, failure to comply with rules caused by mistake or oversight).
- Serious infringements (including, but not limited to, dangerous or hazardous behaviour or actions);
- Unsporting behaviour (including, but not limited to cheating, deliberate attempts to deceive or mislead officials, bringing FAI into disrepute, wilful interference with other competitors, falsification of documents, use of forbidden equipment or prohibited drugs and violations of airspace). Once a competitor is called to the flight line or the flying circle for an official attempt, smoking or consuming alcoholic drinks is also considered as unsporting behaviour, until the attempt is finished.

#### **C.19.1.1 Range of penalties**

The severity of the penalties imposed may range from a minimum loss of points to disqualification, as appropriate to the offence.

- a) Technical Infringements. Unless a different penalty is detailed in the dedicated Sporting Code Section 4 Volumes, technical infringements of rules or failure to comply with requirements caused by mistake or oversight where no advantage has been gained or could have been gained by the competitor concerned should, as a guide, carry penalties leading to a reduction of not less than 2 % of the best score or maximum available score for the task. However if the competitor is making use of a model, equipment or fuel which does not conform in all respects to the rules and regulations of the event or which has not been verified by the organisers, he shall be disqualified from the contest.
- b) Serious Infringements. Unless a different penalty is detailed in the dedicated Sporting Code Section 4 Volumes, serious infringements, including dangerous or hazardous actions or repetitions of lesser infringements should, as a guide, carry minimum penalties leading to a reduction of not less than 5 % of the best score or maximum score for the task.
- c) Unsporting behaviour. Cheating or unsporting behaviour, including deliberate attempts to deceive or mislead officials, wilful interference with other competitors, falsification of documents, use of forbidden equipment or prohibited drugs, violations of airspace, or repeated serious infringements of rules should, as a guide, result in disqualification from the contest.  
  
Unsporting behaviour is also to be considered as any conscious effort by a participant, directly involved with a national team, to influence, intimidate, or threaten contest officials or other competitors or teams, with the intent of gaining an advantage over other competitors or teams, irrespective if this occurs directly before, during, or directly after the sporting event, and this behaviour may result in disqualification of the individual or the team from the contest.
- d) Disqualification from the contest. All competitors making use of a model, equipment or fuel which does not conform in all respects to the rules and regulations of the event or which have not been verified by the organiser shall be disqualified from the contest.

#### **C.19.1.2 Information and publication**

The FAI Jury shall notify the concerned competitor and/or the team manager immediately after a penalty decision and quote the reasons for the penalty.

Penalties shall be listed on the score sheet of the day on which the penalty was given.

### **C.19.2 Penalties imposed by CIAM Bureau**

Penalties may also be imposed by the CIAM Bureau, after an infringement is reported to the CIAM Bureau. A report may be, but is not limited to the FAI Jury report.

In that case, the CIAM Bureau shall decide where, when and how any penalties or disqualifications from participation are applied

#### **C.19.2.1 Types of penalties**

The following penalties may be imposed on participants or officials by CIAM Bureau:

- a) a warning, admonishment or reprimand;
- b) a direction not to compete or participate or officiate in a particular event or events or class (or types of event or classes) for a specific period of time;
- c) recommendation to FAI executive Board for suspension of the FAI Sporting License for a specific period of time;
- d) disqualification from a particular event or events or class (or types of event or classes);

- e) removal from the international judges list for a specific period of time;
- f) any sanction set out in the FAI Code of Ethics;
- g) any other sanction which is within the powers of FAI or the NAC to impose.

#### C.19.2.2 Publication

CIAM Bureau shall decide where, when and how any penalties or disqualifications from participation are applied and published.

### C.20 COMPLAINTS AND PROTESTS

#### C.20.1 Complaint

The purpose of a complaint is to obtain a correction without the need to make a formal protest. It is recommended that a complaint is filed before submitting a protest (see FAI Sporting Code General Section 6.1).

#### C.20.2 Protest

- a) All protests must be presented in writing in English to the contest director of the event, or the appropriate contest director for an event with multiple classes and must be accompanied by the deposit of a fee. The amount of this fee shall be the equivalent of 50 Euro. The deposit is returned only if the protest is upheld.
- b) The same person (team manager or competitor depending on the type of contest) is not permitted to present two consecutive protests on the same incident.
- c) Protests must be arbitrated in compliance with FAI Sporting Code General Section 6.4.

#### C.20.3 Time limit for lodging protests

- a) Before the beginning of the event: a protest against the validity of an entry, qualification of competitors, the contest rules, the flying and contest area, the processing of models, the judges or other contest officials, must be lodged at least one hour before the opening of the contest.
- b) During the event: a protest against a decision of the judges or other contest officials or against an error or irregularity committed during an event by another competitor or team manager must be lodged as soon as the contest situation requires but not later than 60 minutes after the incident.

*Note: a protest relative to official results must be lodged as soon as the official results have been published on the flight site of the event and no later than the prize-giving.*

### C.21 CIAM TROPHIES

All trophies which have been adopted by the CIAM as awards to individual or team winners of championships and to World Cup winners shall be considered to be in the custody of the FAI.

Dependent upon the terms of presentation, trophies shall be considered the property of either the FAI or the donor. A schedule of ownership shall be maintained by the FAI Office.

#### C.21.1 Registration of CIAM trophies

The Bureau shall keep a master register of trophies listing the holders, donor and giving terms of presentation and acceptance. This register shall be maintained by the Secretary, and brought up to date each year, no later than at the Plenary Meeting.

*Note: The list of the current CIAM trophies is downloadable on the "Documents" section of the CIAM website <http://www.fai.org/ciam-documents>.*

#### C.21.2 Acceptance of CIAM trophies

Donors of trophies considered to be "perpetual" (i.e. remaining the property of the FAI or the donor) and proposed for award at championships or World Cups shall declare their intent to the CIAM not later than the date of closure for the Plenary Meeting Agenda each year. Acceptance of the trophy shall be conditional on a majority vote in favour by members of the CIAM.

#### C.21.3 Award of CIAM trophies

CIAM trophies are awarded annually (World Cup trophies) or bi-annually (championship trophies). In those instances where for any reason a trophy is not awarded over a period of five years, custody of the trophy shall revert to the donor.

#### C.21.4 CIAM trophies report forms

A standard report form has been defined for CIAM championship trophies and a standard report form has been also defined for CIAM World Cup trophies.

The purpose of those forms is to accurately maintain the official FAI trophy register regarding the location and guardianship of those trophies.

*Note: The standard report forms are downloadable from "Documents" section of the CIAM website <http://www.fai.org/ciam-documents>.*

#### **C.21.5 Championship trophies**

- a) Prior to the event, the championship organiser shall ask the FAI Office for a copy of the previous year's trophy report form which contains the contact data of the current trophy holder. The organiser shall inform the Jury President of the status of trophy delivery.
- b) At the championship, the Jury President or a member of the FAI Jury appointed by him, will use the trophy report form to verify the status of the trophy and note the details, including identification data, of the new holder.
- c) Completion of the trophy report form:
  - i) If the championship organiser arranges this then he must electronically send the completed form to the FAI Office with the official electronic results (see C.13.6).
  - ii) If a member of the FAI Jury arranges this then the Jury President must include the form with his Jury Report that he is required to send electronically to the FAI Office (see C.7.1).
- d) The FAI Office will forward the trophy report form to the Secretary.

#### **C.21.6 World Cup trophies**

World Cup trophies may be presented at the Plenary Meeting, or at a relevant World or Continental Championship, or at a World Cup contest.

The World Cup Coordinator is responsible for the instigation of the trophy report form procedure. The procedure is as follows:

- a) After the final results of a World Cup have been established, the World Cup Coordinator sends this form to all "previous holders" and to all "new holders" of the trophies or their NAC. The form will contain the data of the "New Holder" and the agreed "Location of Trophy Transfer". The World Cup Coordinator may ask the FAI Office for a copy of the previous year's trophy form which contains the contact data of the current trophy holder.
- b) The "previous holder", or his NAC, has to send the trophy to the location identified on the "Location of Trophy Transfer" form.
- c) At the transfer location, the World Cup Coordinator, or a member of the FAI Jury, will use the trophy form to verify the status of the trophy and note the details, including identification data, of the new holder.
- d) The "new holder", or his NAC, has to return, electronically to the FAI Office, the properly completed and signed form after the presentation has taken place.

#### **C.21.7 Responsibilities of the holder of a CIAM trophy**

For purposes of identification, the holder shall be the concerned NAC.

The winner's NAC is responsible for the safe delivery of any trophy/trophies to the organiser at the next championship or to the agreed location for World Cup trophies.

Holders of the trophies shall be responsible for:

- a) Maintaining the trophy in good condition.
- b) Engraving the name of the winner and date of award in the manner established by previous winners.
- c) Insurance against loss for the period during which it is held.
- d) Delivery of the championship trophies to the organisers of the next championships to the address and by the date requested by the organisers. Should no request be made, the trophy shall be delivered to the NAC of the organisers at least six weeks prior to the date of the championships.
- e) The cost of transporting a trophy to the organisers of the championships shall be responsibility of the NAC holding the trophy.

*Note: The list of the current holders of the CIAM trophies will be published annually on the "Documents" section of the CIAM website <http://www.fai.org/ciam-documents>.*

**C.21.8 Loss of a CIAM trophy**

In the event of loss or failure to award a championship trophy, the organiser of the championship must present a statement of circumstances to the CIAM and propose replacement which shall be at the consideration of the donor of the original trophy and the CIAM.

In the event of loss or failure to award a World Cup trophy, the Subcommittee Chairman must present a statement of circumstances to the CIAM and suggest a solution for replacement. Replacement and associated procedures are defined by the CIAM Bureau.